



**USER'S MANUAL
MANUAL DEL USUARIO
MANUAL DO USUÁRIO**

**OUTBOARD ENGINE
MOTOR FUERA DE BORDA
MOTOR DE POPA**

**2 STROKE / 2 TIEMPOS / 2
TEMPOS**

INDEX / INDICE / SUMÁRIO

	SAFETY SYMBOLS / SIMBOLOS DE SEGURANÇA / SIMBOLOS DE SEGURIDAD.....	6
1	MAIN COMPONENTS AND GENERAL RECOMMENDATIONS.....	7
2	OPERATION	9
3	PRE-OPERATION CHECKS	12
4	FUEL SUPPLY	13
5	TURNING ON THE ENGINE	13
6	CHANGING DIRECTION.....	18
7	STOPPING THE ENGINE	19
8	MAINTENANCE.....	23
9	TRANSPORTATION AND STORAGE	30
10	PRINCIPALES COMPONENTES Y RECOMENDACIONES GENERALES	32
11	OPERACION	34
12	VERIFICACIONES PRÉ-OPERACION	37
13	ABASTECIMIENTO EL MOTOR FUERA DE BORDA	37
14	ENCENDIENDO EL MOTOR.....	38
15	CAMBIO DE DIRECCION.....	43
16	PARANDO EL MOTOR.....	44
17	MANTENIMIENTO	48
18	TRANSPORTANDO Y ALMACENANDO.....	55
19	PRINCIPAIS COMPONENTES E RECOMENDAÇÕES GERAIS	57
20	OPERAÇÃO.....	59
21	VERIFICAÇÕES PRÉ- OPERAÇÃO	62
22	ABASTECIMENTO DE COMBUSTÍVEL	62
23	LIGANDO O MOTOR.....	63
24	MUDANDO DE DIREÇÃO	67
25	PARANDO O MOTOR	69
26	MANUTENÇÃO.....	73
27	TRANSPORTANDO E ARMAZENANDO	80

PREFACE

Thank you for purchasing TOYAMA product.

This manual covers the operation and maintenance of a Toyama product. The information and specifications included in this publication were in effect at the time of approval for printing. No part of this publication may be reproduced without written permission. This manual should be considered a permanent part of this product and should remain with it. The illustration may vary according to the type.

Keep this owner's manual handy, so you can refer to it at any time. This owner's manual is considered a permanent part of the product and should remain with the product if resold.

If a problem should arise, or if you have any questions about the product, consult you authorized dealer.

PROLOGO

Gracias por comprar este Producto TOYAMA.

Este manual cubre la operación y el mantenimiento de este producto. La información y las especificaciones incluidas en esta publicación son efectivas para la fecha de aprobación de impresión.

Ninguna parte de esta publicación puede ser reproducida sin autorización. Este manual debe ser considerado parte permanente del producto y debe mantenerse con el producto en caso de ser revendido. Algunos detalles podrán cambiar dependiendo del modelo.

Conserve este manual a la mano para que usted se pueda referir a él em cualquier momento.

En caso de presentarse algún problema, o si usted tienen alguna pregunta sobre el producto, contacte a su distribuidor TOYAMA.

PREFACIO

Obrigado por adquirir um Produto TOYAMA.

Este manual contém informações para operação e manutenção do seu produto. As informações e especificações incluídas nesta publicação estavam em vigor no momento da aprovação para impressão. Nenhuma parte desta publicação pode ser reproduzida sem permissão por escrito. A ilustração pode variar de acordo com cada modelo de equipamento.

Mantenha este manual do proprietário sempre disponível, para que consiga consultá-lo a qualquer momento. Este manual é considerado uma parte permanente do seu produto e deve acompanhar o equipamento ao ser revendido.

Ao surgir um problema, ou se você tem dúvidas sobre o seu produto, consulte o seu revendedor autorizado TOYAMA.

SPECIFICATIONS / ESPECIFICAÇÕES / ESPECIFICACIONES












Modelo / Model		TM2.6TS	TM3.6TS	TM.5.8TS	TM9.8TS	TM15TS	TM25TS
MOTOR DE POPA 2 TEMPOS / OUTBOARD MOTOR 2 CYCLE	Tipo do Motor / Engine type :	Outboard, 2 Strokes, Gasolyne, Monocylinder Motor de Popa, 2 Tempos, Gasolina, Monocilindro Motor fuera de borda, 2 Tiempos, Gasolina Monocilindrico					
	Cilindrada / Displacement [cm ³] :	50	74,6	102	169	246	496
	Sistema de Refrigeração / Enfriamiento / Cooling system :	água / water	água / water	água / water	água / water	água / water	água / water
	Potência máxima / Maximum power [HP]:	2,6	3,6	5,8	9,8	15	25
	Rotação Máxima / Maximum speed [rpm]:	4000-5000	4200 ~ 5300	4500 ~ 5500	5000 ~ 6000	4500 ~ 5500	4500 ~ 5500
	Tanque de combustível / Tanque de combustible / Fuel tank capacity [L]:	1,2	1,5	2,7	12	24	24
	Sistema de partida / Sistema de arranque / Starting system:	Manual retrátil / Recoil start					
	Marcha / Gear	frente / adelante / forward	neutro - frente / Neutral - adelante / Neutral - forward	Neutro - frente - ré / Neutral - adelante - reverso / Neutral - forward - reverse	Neutro - frente - ré / Neutral - adelante - reverso / Neutral - forward - reverse	Neutro - frente - ré / Neutral - adelante - reverso / Neutral - forward - reverse	Neutro - frente - ré / Neutral - adelante - reverso / Neutral - forward - reverse
	Shift gear relation / Relação de engrenagem / Relación de engranaje	27/13	27/13	28/13	27/13	27/13	27/13
	Tipo Eixo / Tipo Eje / Shaft type	curta / corto / short	curta / corto / short	curta / corto / short	curta / corto / short	curta / corto / short	curta / corto / short
Hélice / Propeler	3-7.25x5"	3 - 7 1/2" x 7"	3 - 7.8" x 8.0"	3 - 8.9" x 8.3"	3 - 9.1/4" x 11"	3 - 9.7/8" x 11.1/4"	
Logística Logístic	Dimensões caixa (CxLxA)/ Dimensiones caja / Dimensions box (lxwxh) [mm] :	950 x 495 x 265	968 x 597 x 292	1058x565x410	1050x585x400	1080x675x395	1228x715x410
	Peso líquido/ Peso neto / Net weight [kg] caixa / caja / box [mm] :	9,8	14,5	20	26	36	52
	Peso bruto / Gross weight [kg] caixa / caja / box [mm] :	12,9	17,2	25	34	53	63

SAFETY SYMBOLS / SIMBOLOS DE SEGURANÇA / SIMBOLOS DE SEGURIDAD

The following symbols are intended to remind you of the safety precautions to be followed.

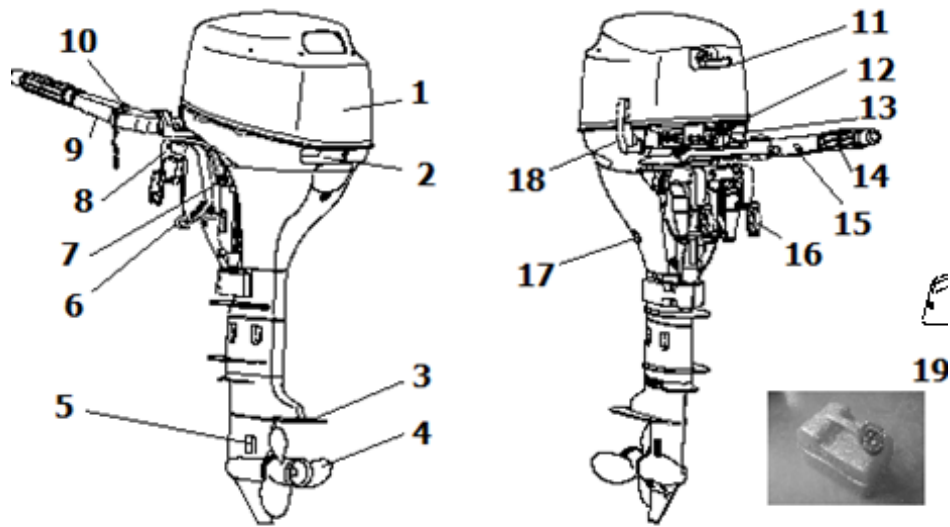
Los siguientes símbolos tienen el objetivo de recordarle las precauciones de seguridad que deben respetarse.

Os símbolos seguintes tem o objetivo de lembra-lo sobre as precauções de segurança que devem ser respeitadas

	LEIA O MANUAL LEA EL MANUAL READ MANUAL		AVISO AVISO WARNING
	USAR PROTEÇÃO DE OUVIDO UTILICE PROTECCIÓN AURICULAR WEAR EAR PROTECTORS		RISCO ELÉTRICO RIESGO ELÉCTRICO WARNING ELECTRICITY
	USAR PROTEÇÃO RESPIRATÓRIA UTILICE PROTECCIÓN RESPIRATORIA RESPIRATORY PROTECTION		RISCO DE TOMBAMENTO RIESGO DE DEZLIZAMIENTO TIPOVER HAZARD
	LUVAS DE SEGURANÇA DEVEM SER USADAS DEBEN SER UTILIZADOS GUANTES DE SEGURIDAD SAFETY GLOVES MUST BE WORN		RISCO DE QUEIMADURA RIESGO DE QUEMADURA BURN HAZARD
	CALÇADOS DE PROTEÇÃO DEVEM SER USADOS DEBEN SER UTILIZADOS CALÇADOS PROTECTORES PROTECTIVE FOOTWEAR MUST BE WORN		SUPERFICIE QUENTE SUPERFICIE CALIENTE HEAT/HOT SURFACE
	PROTEÇÃO PARA OS OLHOS, OUVIDOS E CABEÇA DEVEM SER USADOS DEBE SER UTILIZADA PROTECCIÓN PARA LOS OJOS, OÍDOS Y CABEZA EAR, EYE AND HEAD PROTECTION MUST BE WORN		ALTA TEMPERATURA ALTA TEMPERATURA HIGH TEMPERATURE
	RISCO DE LESÃO RIESGO DE LESION RISK OF INJURY		MATERIAL INFLAMÁVEL MATERIAL INFLAMABLE FLAMMABLE MATERIAL
			RISCO DE ESCORREGAR RIESGO DE DESLIZAR RISK OF SLIPPING
			AR COM CONTAMINANTES AIRE COM CONTAMINATES TOXIC AIR
			REBOTE CONTRAGOLPE KICKBACK
			PARTES MÓVEIS PARTES MOBILES ROTATING PARTS

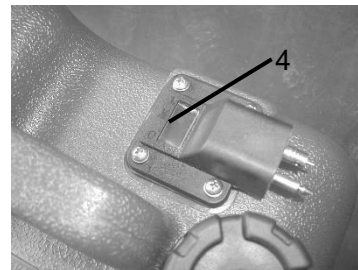
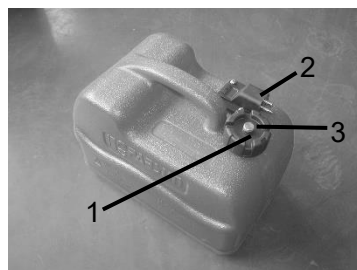
1 MAIN COMPONENTS AND GENERAL RECOMMENDATIONS

COMPONENTS



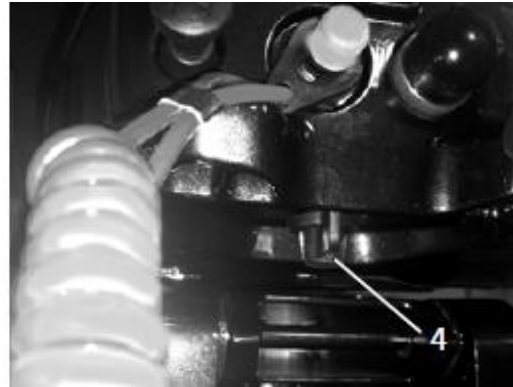
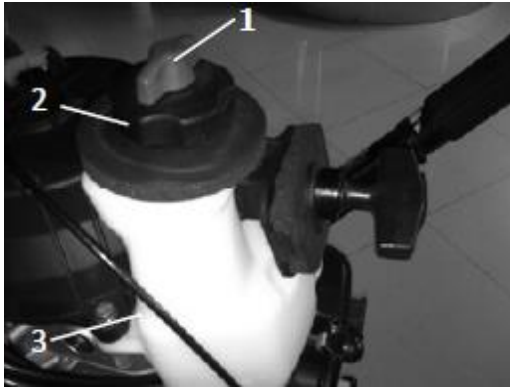
1. Engine cover	2. Engine cover lock
3. Anti cavitation	4. Propeller
5. Water inlet for cooling	6. Support
7. Steering friction screw	8. Outboard clamp
9. Handle	10. Engine stop switch
11. Starting handle	12. Fuel hose conector
13. Safety notices	14. Throttle handle
15. Throttle friction adjustment	16. Fixing screw
17. Engine oil drain plug	18. Shift lever
19. External fuel tank*	

** (illustrative scheme only - there may be differences in models in this manual) For models accompanying external fuel tank:



1. Fuel tank cap	2. Fuel hose connector
3. Breather valve	4. Fuel gauge

For models that include internal fuel tank:



1. Breather valve	2. Fuel tank cap
3. Internal fuel tank	4. Fuel cock

Warning: The fuel tank that comes with the engine can only be used when the engine is running, and not be used for storage. Close the fuel cock when using the external tank. Disconnect the fuel hose when using the internal tank.

INSTRUCTIONS FOR FUEL SUPPLY

Recommended Gasoline: Normal and without lead
--

If using leaded gasoline, valves and other engine parts should be inspected after every 100 hours of operation

⚠ ATTENTION:

- Do not smoke during filling, and keep away from sparks, flames or other forms of ignition.
- Switch off the engine before refueling
- Store in well ventilated areas; remove the external fuel tank from the boat to refuel it.
- Do not overfill the fuel tank.
- Be careful not to spill fuel, if it spills clean immediately.
- Tighten the fuel cap securely after refueling.
- In case of ingestion of gasoline, inhalation of fuel vapor or contact with eyes, seek medical advice immediately.
- If you spill gasoline on the skin, wash immediately with soap and running water. If you spill on clothing, change clothing immediately.

Engine oil

Recommended oil engine: **Outboard Engine Oil 2 stroke TC-W3**

Gasoline and oil mixture

Adaptation period	Gasoline	25:1			
		1L	12L	14L	24L
	Engine oil 2T	0.04L	0.48L	0.56L	0.96L
After adaptation period	Gasoline	50:1			
		1L	12L	14L	24L
	Engine oil 2T	0.02L	0.24L	0.28L	0.48L

ATTENTION:

Be sure to mix properly gasoline with engine oil or it may cause serious engine damage

SELECTING THE PROPELLER

The performance of your outboard will be critically affected by your choice of propeller, an improper choice can adversely affect performance.

The outboard is equipped with propellers chosen to perform more than a range of applications, but there may be specific situations where helixes with different characteristics may be more appropriate.

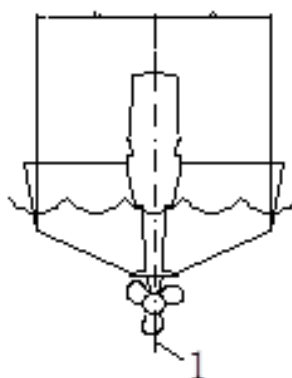
The Toyama Representatives can advise you about which propeller to use on the outboard that best suits your specific situation.

For higher loads and lower rotations a smaller pitch propeller is more suitable. In the same way a larger pitch propeller is more suitable for small loads.

2 OPERATION

INSTALLATION

Fit the outboard in the center line of the boat (keel line). For boats without a center line and that are asymmetrical, consult your dealer.



1. Center line

NOTE:

During the water tests check the buoyancy of the boat, at rest, at its maximum load. Check that the water level is sufficiently below the exhaust so that there is no water flowing through the power, when the water rises due to the waves and the engine is not turned off.

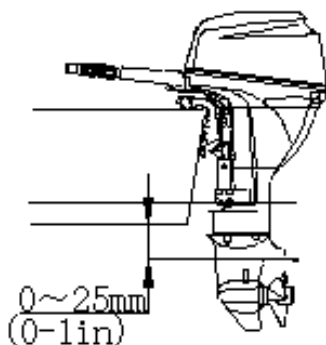
⚠ ATTENTION:

- Overloading the boat engine can cause severe instabilities. Do not install an outboard with more power than the maximum rating on the boat's capacity plate. If the boat does not have a capacity plate, consult the boat manufacturer.
- Incorrect assembly of the outboard may result in hazardous conditions. For permanently mounted models, your dealer or other person with experience in proper handling must mount the engine. If you are mounting the engine, you should be trained by an experienced person. For portable models, your dealer or other person with experience in proper outboard assembly should show you how to mount the engine.
- The information presented in this section is for reference only. Proper assembly depends, in part, on the experience and specific combination of boat-motor.

HEIGHT ASSEMBLY

The outboard mounting height significantly affects boat performance and speed. If the mounting height is too high, cavitation tends to occur, thus reducing propulsion. If the mounting height is too low, the water resistance will increase, reducing engine efficiency.

Assembly the outboard so that the anti-collision plate is between the bottom of the boat and a level 25 mm below it.



NOTE:

The optimal outboard height is affected by the combination of the boat, engine and the intended use. Testing at a different height can help determine the optimal assembly height. For more information, consult your TOYAMA dealer or TOYAMA for our SAC.

OUTBOARD ENGINE FIXATION

1. Position the engine as centered as possible. Tighten the clamps securely and continuously. Due to the vibration of the engine, it may happen that the fixing screws on the boat may eventually come loose, always check the tightening of the same.



ATTENTION

- Loose attachment screws may allow the outboard to come loose or move over the boat's transom. This may cause loss of control of the vessel.
- Always make sure the bolts are tight and tight, checking the recoil occasionally when using the engine.

2. Tie a rope or chain to prevent engine loss if it accidentally loosens from the boat and falls into the water. Attach one end to the proper location of the engine and another end to a safe point on the boat.



3. Secure the securing bracket to the crossbar with the appropriate screws. For details, consult your dealer TOYAMA.

ATTENTION:

Avoid using improper bolts, nuts, and washers. After tightening, test the motor operation and recheck the tightening.

OUTBOARD ENGINE FIRST USE

Your new engine needs a softening period to allow the surfaces of the parts to adjust. Correct engine adaptation will ensure proper performance and long life of the outboard.

ATTENTION

Failure to do so may result in reduced service life, loss of performance or even serious damage to the outboard.

1. First hour of operation:
2. Operate the engine at a speed of 2000 rpm or approximately half acceleration.
3. Next two hours of operation:
4. Operate the engine at a speed of 3000 rpm or approximately $\frac{3}{4}$ acceleration.
5. Next 8 hours of use:
6. Avoid continuous operation with full throttle for more than five minutes.
7. After this period the engine normally operates.

3 PRE-OPERATION CHECKS

Fuel

- Check that there is enough fuel for your trip.
- Ensure that there is no leakage of fuel or gasoline vapors.
- Check the fuel connections and make sure they are tight.
- Ensure that the fuel tank is positioned on a level and secure surface and that the hoses are not twisted or crumpled. Tank and hose must be long from sharp objects.

Control

- Check throttle and steering for proper operation before starting engine.
- The controls should work smoothly, without slack.
- Make sure that there are no loose or damaged connections.
- Check operation of start and stop switches when outboard is in the water.

Engine

- Check engine and attachment.
- Check for loose and faulty screws.
- Check the propeller for faults.

Attention:

If any item on the pre-operation check is not working properly, repair it before operating the outboard. Otherwise accidents may occur.

WARNING:

Do not start the engine out of the water as it will overheat the engine, causing serious damage or serious accident.

- ✓ Checking the engine oil level
- ✓ Position the motor upright (not tilted)
- ✓ Check the oil level using the dipstick, making sure the level is between the lower and upper dipstick markers. Add oil if the level is below the lower limit or drain if it is above the upper limit.
- ✓ Check according to the model of your outboard



4 FUEL SUPPLY



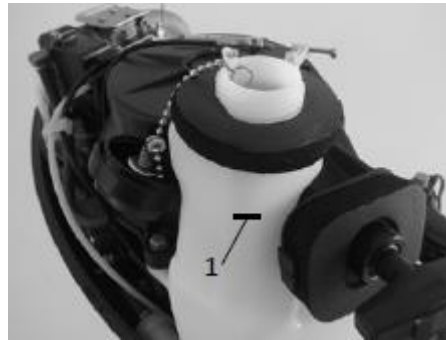
Attention:

Gasoline and its vapors are highly flammable and explosive. Always keep away from sparks, cigarettes, flames or other sources of ignition. Check fuel hose for leaks, cracks or any faulty function.

1. Remove the fuel tank cap.
2. Carefully fill the tank with fuel. On models where the fuel tank is internal, complete up to the upper limit 1.



External fuel tank



Internal fuel tank

3. Close the cap tightly after filling the tank. Clean up any spilled fuel.

5 TURNING ON THE ENGINE

1. Open the fuel tank breather plug. Turn the plug counterclockwise to the inner fuel tank and two to three turns in the same direction to the outer fuel tank. Allow the internal pressure in the tank to match the ambient pressure. This step is important to allow atmospheric air to enter the tank and occupy the fuel space as it is consumed by the engine.

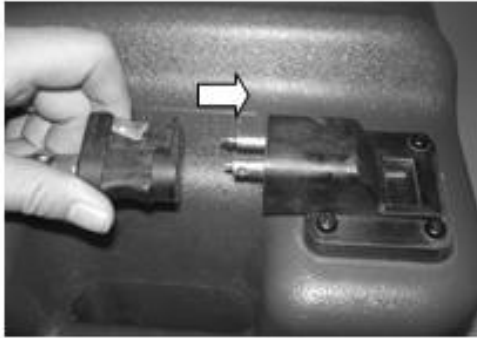


Internal fuel tank



External fuel tank

2. Connect the fuel hose to the tank and engine. Make sure it is firmly seated (* This step is only for engines connected to external fuel tanks).



3. Open the fuel cock.



Internal fuel tank



External fuel tank

4. Press the primer (manual fuel pump) until you feel a resistance, the pump becomes rigid, indicating that the fuel has reached the engine.



Internal fuel tank



External fuel tank

5. Set the gear lever to neutral (NEUTRAL).



⚠ Attention:

- The motor must be started at Neutral N, otherwise damage may occur at the same time.
- Do not attach the lanyard of the emergency stop switch to easily removable clothing. Avoid twisting the cord and be careful that it does not attach to other parts of the engine.
- Avoid accidentally pulling the rope during normal operation. Loss of engine power means loss of steering control. In addition, without engine power, the boat can decelerate rapidly. This can cause people and objects on the boat to be thrown forward.

NOTE:

Adapt the lanyard of the engine emergency stop switch to a safe location on your clothing, arm or leg. Then insert the locking plate into the engine stop switch. This plate is located at one end of the emergency stop switch cord.



6. Set the throttle lever to the starting position (Manual Start)



Manual starter

7. If the engine is cold, pull the throttle button (1) to provide a richer fuel mixture to the engine (throttle closed).



NOTE:

It is not necessary to drown the engine when starting a hot engine.

If the engine continues with the choke closed after starting, the engine will not perform properly and may even shut down. Therefore, after starting the engine, return the choke knob to its starting position.

- Pull the starter handle slowly until you feel a resistance, and then pull it out quickly and firmly. Repeat this procedure if necessary..



- After the engine is started, slowly return the choke to its starting position.
- Slowly return the throttle grip to the fully closed position.

WARNING:

When the engine is cold, it must be heated.

If the engine does not start on the first attempt, repeat the procedure.

If the engine does not start after 4 or 5 attempts, open the throttle a small amount (between 1/8 and 1/4), and try again.

Never turn the drive switch to the START position when the engine is already running.

HEATING THE ENGINE

- After starting the engine, let it idle for 3 minutes to warm up. Failure to do so will decrease engine life. Gradually turn the choke knob to the starting position when the engine warms up.
- Check for the presence of a constant flow of water from the cooling hole.



WARNING

If water is not flowing out of the check hole while the engine is running, turn off the engine and check that the cooling water inlet at the bottom of the case or pilot water cooling hole is blocked.

If the problem cannot

be found and corrected, consult your authorized dealer.

MARCH

Attention: Before engaging the gears, make sure there are no obstacles or persons nearby.

WARNING

Before engaging the gears, turn the throttle grip to the starting position (idle or low speed)

Forward

1. Set the throttle lever to the fully closed position (initial position).



2. Shift the gearshift lever quickly and steadily from neutral to forward gear



Reverse (*if equipped)

 WARNING:

When operating in reverse, go slowly. Do not accelerate more than half the full speed or the boat may lose stability, causing loss of control or an accident.

1. Set the throttle lever to the fully closed position (initial position).



2. Move the gearshift lever firmly from neutral to Ré.



NOTE:

Make sure that the tilt lever is in the lock / position down. Check the tightening of the clamps to ensure that the vessel will not turn.

6 CHANGING DIRECTION

Change of direction

To change direction, move the rudder to the left or right as needed.



Speed change

Turn the throttle lever counterclockwise to increase speed and time to slow down.

Throttle Indicator

The acceleration indication (1) is attached to the throttle lever. The fuel consumption curve on the throttle indicator shows the relative amount of fuel consumed for each throttle position. Choose the setting that offers the best performance and fuel economy and the desired operation.



Adjusting the friction screw

The throttle friction regulator is on the rudder lever, which provides adjustable resistance to throttle grip movement, and can be adjusted according to operator preference.

To increase the resistance, turn the adjustment clockwise. To decrease the resistance, turn off the time adjuster. When constant speed is desired, press the adjuster to maintain the desired throttle setting.



⚠ ATTENTION:

Do not overtighten the friction regulator. If there is too much resistance, it may be difficult to move the throttle lever, which could result in an accident.

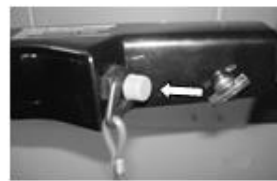
7 STOPPING THE ENGINE

NOTE:

Before switching off the outboard, allow it to cool for a few minutes at low speed or at low speed. Stopping it immediately after intense use of high speed and speed can damage the engine.

PROCEDURE

Press and hold the outboard stop button until it is completely off.



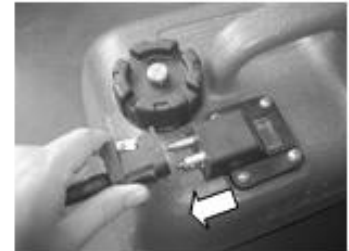
NOTE:

If the outboard is equipped with a stop by a rope, it can also be switched off by pulling it out and removing the catch present.

Securely tighten the fuel tank breather valve and close the fuel.



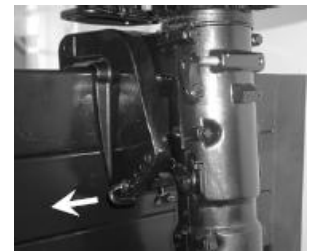
Close and disconnect the fuel COCK.



ADJUSTING THE ENGINE POSITION

The motor has four or five holes present for adjusting the motor angle.

1. Turn off the engine.
2. Remove the position adjusting screw while tilting the engine slightly.
3. Replace the screw in the desired position (perform tests in different positions to find the position that best fits the intended conditions of use).



ATTENTION:

Make sure that the engine is turned off and completely stopped.

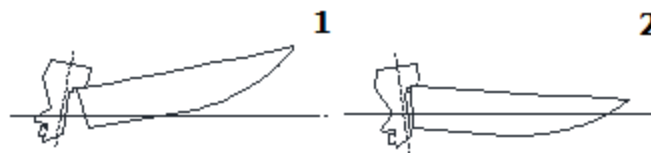
Operate your handling carefully.

Be careful not to crimp body parts when removing and replacing the set screw.

Be careful when changing position. Gradually increase the speed after the change to verify that the boat is stable. Inadequate angles can lead to loss of boat control.

NOTE:

Position the outboard at an angle that ensures balance and stability during navigation. An excessively large angle of balance is incorrect as it causes the bow to raise (1). On the other hand, an excessively small angle of equilibrium causes the bow to be submerged (2). It is worth noting that the most appropriate balance angle depends on the combination of the outboard, boat, propeller and operating condition.



Positioning it

If your outboard is stationary for a period of time or anchored in shallow water, it should be tilted upwards to protect the propeller and transmission case, avoiding collision damage and reducing corrosion.

ATTENTION:

- Make sure that people around you are at a safe distance from the engine to prevent accidents.
- Make sure that the fuel tank cap breather valve is tightly closed, and that the fuel cock is in the "closed" position if the engine is tilted to prevent leaks.

- Do not push the engine through the rudder lever as it may damage the internal components.

Tilting it up

1. Set the lever to the NEUTRAL position..



2. Tighten the steering friction regulator by turning clockwise to prevent the engine from spinning freely..



*Verificar conforme modelo adquirido

3. Tighten the fuel tank cap securing valve tightly.



4. Close the fuel cock.



5. Hold the rear handle and fully tilt the engine until the tilt support lever locks automatically. If equipped, you must first lift the tilt control lock.



Tilting it down

1. Tilt the outboard slightly.
2. Slowly tilt the outboard down while pulling the tilt lever from the grab bar up.



3. Loosen the steering friction adjustment by turning counterclockwise, and adjust steering friction according to operator preference (See according to your engine model).



ATTENTION

If there is too much resistance, it can make it difficult to guide and can cause an accident.

SAILING IN SHALLOW WATERS

To use the outboard in shallow water, this should be used partially elevated.

WARNING

The cooling water intake hole should not be above the surface line of the river / sea water when navigating shallow water. Otherwise, severe damage may occur due to engine overheating

SAILING IN SALTED WATERS

After using the outboard in salt water, flush the water passage for cooling with fresh water to prevent the accumulation of salt deposits.

8 MAINTENANCE

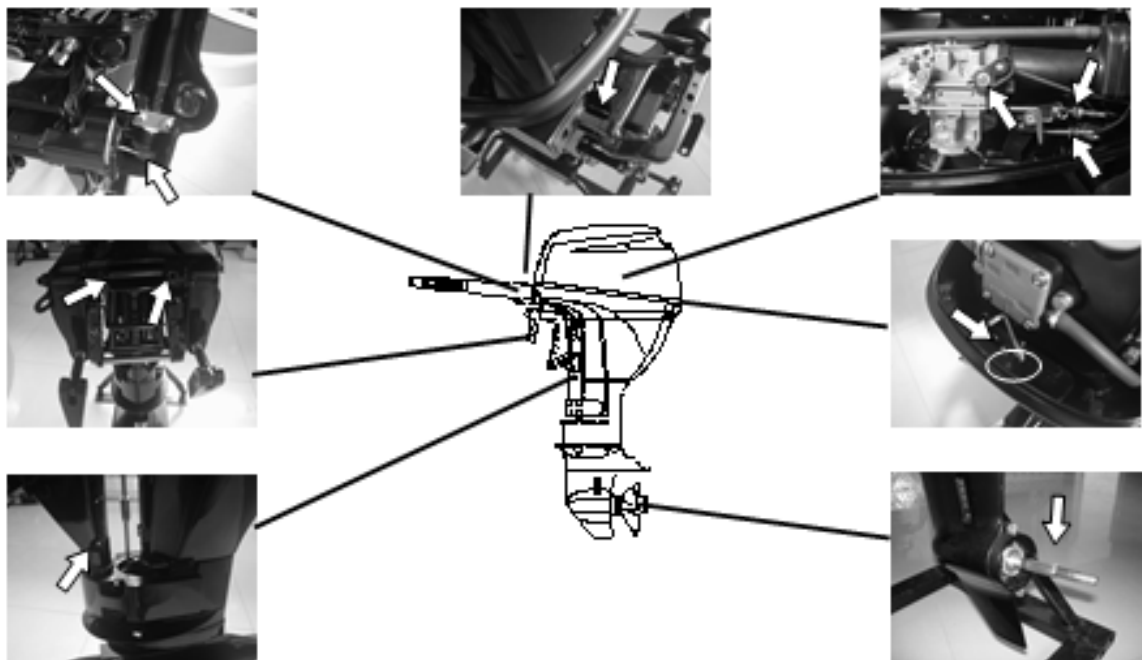
While using the outboard, periodic maintenance is required so you can ensure your performance.

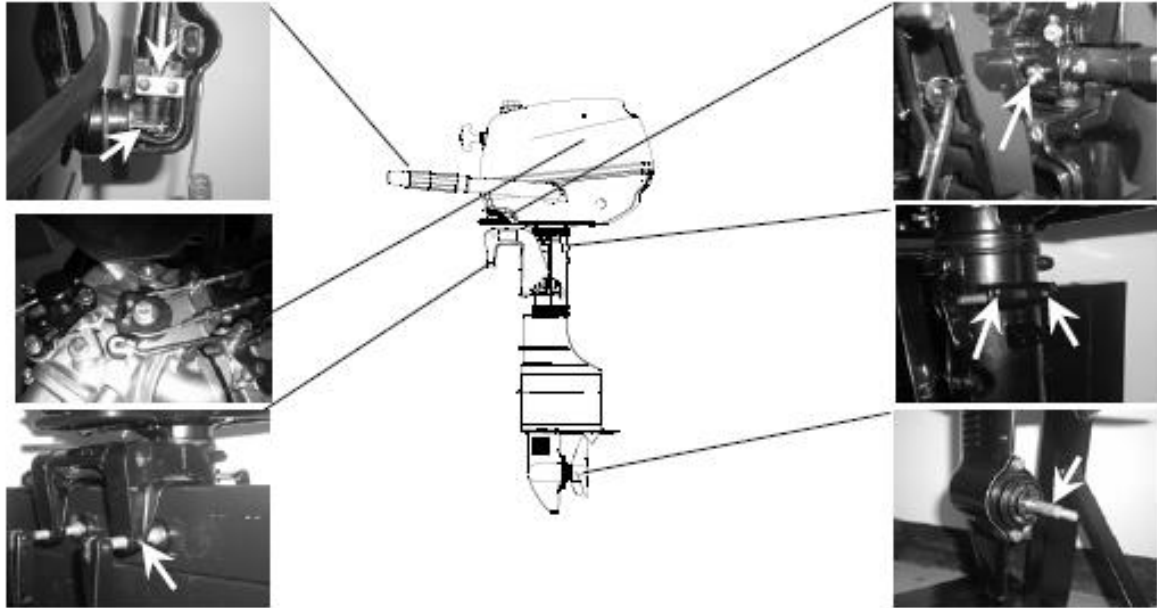
ATTENTION:

Be sure to turn off the engine when you are performing maintenance. If you or the owner is not familiar with the maintenance of the machine, this work should be done by your authorized representative or a qualified mechanic.

LUBRIFICATION

Lubrication should be done periodically at the points shown. Check according to model purchased.

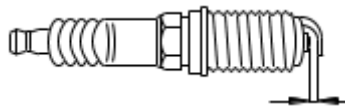




CLEANING AND ADJUSTING THE IGNITION CANDLE

It is necessary to periodically remove and inspect the spark plug as heat and debris cause wear.

If necessary, you should replace the spark plug with another of the same model. Before assembling the spark plug, measure the distance between the electrodes and adjust the difference for specification if necessary.



When plugging the spark plug, always clean the gasket surface and use a new gasket.
Clean the electrode dirt and tighten the spark plug screw to the correct torque.

CHEKING THE FUEL SYSTEM

Check for signs of leaks, malfunction or general damage. If a problem is found, contact your authorized dealer or qualified mechanic.



ATTENTION

- Check for leaks regularly.
- If any fuel leak is found, the fuel system must be repaired by a qualified mechanic.

CHECKING THE SLOW MARCH

A tachometer is required to check the idle speed. Results may vary depending on whether the test is performed in a test tank, or with the engine in the water.

1. Start the engine and allow it to warm up completely in neutral until it is working perfectly.
2. Verify that idle speed is set to specification.

CAUTION

Correct measurement of idle speed is only possible if the engine is fully heated. If it is not fully heated, the idle will be above normal. If you have difficulty checking the speed, or the idle speed requires adjustment, contact your authorized TOYAMA dealer.

WIRING VERIFICATION AND CONNECTORS

Check that each grounding wire is properly secured and that each connector is securely connected.

CHECK FOR LEAKS

Check that there are no leaks or water leaks in the junctions between the exhaust cover, cylinder head and cylinder body.

Check for leaks around the engine.

CHECKING THE PROPELLER

ATTENTION:

You can get seriously injured if the engine accidentally turns on when you are moving the propeller or very close to it.

Before inspecting, removing or installing the propeller, remove the spark plug cap, set the gear to Neutral (N), the main switch to OFF, and remove the key. Also, remove the emergency stop cable from the emergency button and disconnect the battery

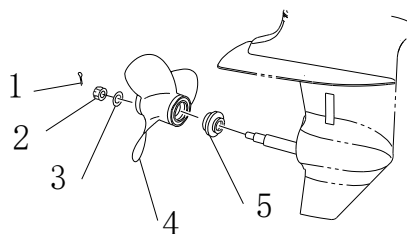
Do not use your hands to hold the propeller if you lose the propeller fixing screw. Place a piece of wood between the anti-cavitation plate and the propeller as a way to prevent it from rotating.



1. Check each propeller blade for wear, erosion of cavitation or ventilation, and / or other damage.
2. Check for damage to the propeller shaft.
3. Check the locking pin.
4. Check for fishing line attached around the propeller shaft.
5. Check for damage to the propeller shaft seal.

Removing the Propeller

- Tighten the locking pin (coupling) and pull it using two pliers
- Remove the propeller nut, washer, and spacer (if equipped)
- Remove the propeller and thrust washer



1. Pin lock
2. Propeller nut
3. Washer
4. Propeller
5. Thrust washer

Propeller Installation

To install the Propeller follow the following procedures:

1. Apply anti-corrosion oil to the propeller shaft
2. Install the spacer (if equipped), thrust washer, and propeller
3. Install the washer and set screw by screwing with the correct torque.
4. Align the propeller bolt with the propeller shaft hole. Insert a new securing pin (cupplate) and bend the pin tips after installation.

CAUTION

Be sure to install the thrust washer before installing the propeller, otherwise its parts may be damaged.

Be sure to use a new locking pin to properly fasten the propeller, otherwise the propeller may drop during engine operation and / or get lost.

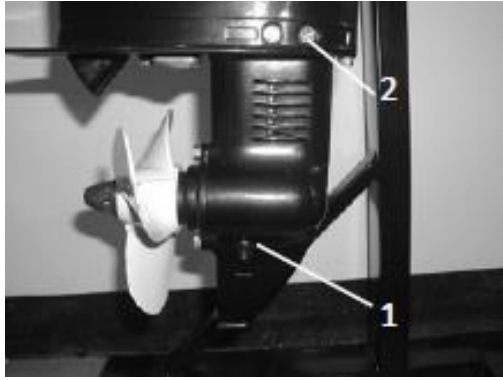
TRANSMISSION OIL EXCHANGE

⚠ ATTENTION

Make sure the outboard is attached to the transom or a stable prop.

Never stand under the engine while it is lifted, even when the tilt bracket is locked. Severe accidents can occur if the engine falls and falls.

1. Tilt the outboard so the gear oil drain bolt is as low as possible.
2. Place a suitable container under the gear case.
3. Remove the oil drain plug.



- 1 – Oil drain plug
- 2 – Oil level check plug

CAUTION

Change the transmission oil after the first 10 hours of operation, and then every 100 hours or 6 months, whichever comes first. Failure to do so may cause damage to the transmission gears.

4. Remove the oil level check plug to allow the oil to drain completely.

CAUTION

Inspect "old" oil after draining. If there is water contamination, this may indicate damage to the gears and transmission. Consult your dealer TOYAMA.

5. Use a flexible or pressurized filling device and inject the oil through the drain hole.
6. When the oil begins to flow out of the oil level check plug hole, insert the screw (gauge) from the plug and tighten it.
7. Replace and tighten the transmission oil drain plug.

CLEANING THE FUEL TANK

When servicing the fuel tank, keep away from sparks, cigarettes, flames, or any other source of ignition when cleaning the tank.

Carry out cleaning the fuel tank in an open, well-ventilated place.

1. Empty the fuel tank. Use a suitable, certified container to store the old fuel.
2. Pour a small amount of suitable solvent into the tank. Replace the tank cap and shake it. Drain the solvent thoroughly.
3. Remove the fuel filter junction.
4. Clean the filter with solvent and allow to dry.
5. Replace the gasket with a new one. Reinstall filter and junction securely by tightening the set screws.

CHECKING AND REPLACING ANODOS) OF SACRIFICE

The motors have a system to prevent corrosion, consisting of anodes.

Inspect the anodes periodically. Remove layers of deposits or dirt from anode surfaces. Consult your authorized TOYAMA dealer for replacement of the sacrificial anodes.

CAUTION! Do not paint anodes as this makes them ineffective, accelerating the corrosion process.



CHECKING THE TOP COVER

Check the upper cowl socket by pushing it with both hands. If it is loose, it must be repaired by an authorized dealer TOYAMA.



MAINTENANCE TABLE

When used under normal conditions, with maintenance and repairs done properly, the engine can operate normally within the normal life span. The frequency of maintenance operations may be higher depending on the operating conditions if these conditions are severe. The following table shows the general guidelines.

Item	Action	Break-in		Normal use	
		10 Hours (1 month)	50 Hours (3 months)	100 Hours (6 months)	200 Hours (1 year)
Anode(s) (external)	Check/replace		●/○	●/○	
Anode(s) (internal)	Check/replace				○
Cooling water passages	Clean		●	●	
Cowling clamp	Check				●
Fuel filter	Check	●	●	●	
Fuel system	Check	●	●	●	
External Fuel tank	Check / Clean				●
Gear Oil	Replace	●		●	
Greasing points	Greasing			●	
Idle speed (carburetor models)	Check / Adjust	●/○		●/○	
Propeller and cotter pin	Check/Replace		●	●	
Transmission	Check / adjust				○
Thermostat	Check				○
Throttle cable	Check/adjust				○
Water pump	Check				○
Engine oil	Check /replace	●		●	
Oil filter	Replace				○
Belt transmission	Check/adjust			○	○
Valve clearance	Check/adjust	○		○	
Spark plug	Clean / adjust / Replace	●			●

The "●" symbol indicates the check-ups you can perform for yourself. The "○" symbol indicates the work to be carried out by your authorized dealer TOYAMA.

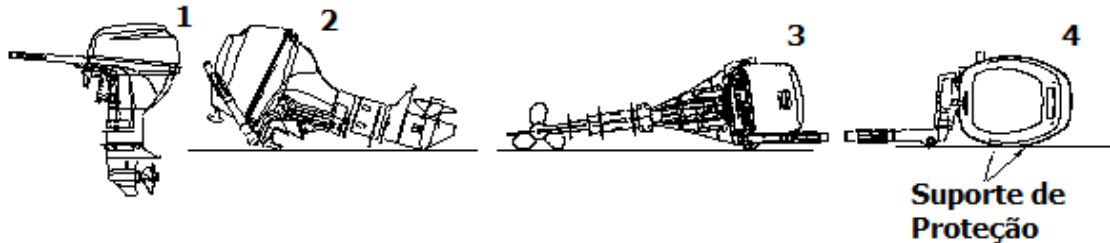
NOTE:

When operating in salt water, muddy or cloudy water, the engine should be flushed with clean water after each use.

9 TRANSPORTATION AND STORAGE

Transporting

The outboard must be transported upright (1). If the engine needs to be deployed, perform according to positions (2) and (3).



CAUTION:

Do not tilt the engine when it is attached to the boat and towed by trolley. The motor can be detached from the mounting bracket and fall off. Transport the motor in its normal operating position (1) whenever possible. If you need to transport it tilted, use an extra fixing device.

When transporting, pay attention with the fuel tank.

Do not fill the fuel tank beyond its maximum capacity, because with heating, gasoline expansion may occur, which can lead to fuel leakage.

Be careful not to stand under the raised engine, even if it has a support.

Place a towel or cloth under the motor to protect it from damage when in positions 2 and 3.

Put a protective bracket when transporting the engine lying down (4).

STORAGE

When storing your outboard for extended periods (2 months or more), some procedures are advised to avoid excessive damage.

ATTENTION:

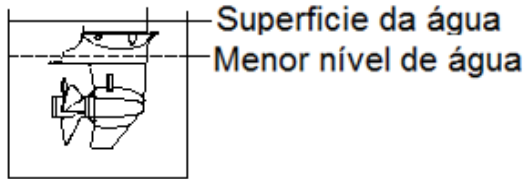
Keep the outboard in an upright position when storing it. If you need to store the engine lying down (on the side), use a support and drain all engine fuel in advance.

Make sure that the cooling water has been drained completely before placing the outboard.

Keep the outboard in a dry, well-ventilated environment, not leaving it directly in sunlight.

It is recommended to consult your authorized TOYAMA dealer for the procedures, but if you wish, you can do so with some tools.

1. Clean the outboard externally using fresh, clean water
2. Disconnect the fuel hose and tighten the breather plug on the tank.
3. Remove the upper fairing from the equipment;
4. Position the outboard in the test tank
5. Fill the tank with fresh water until the water level in the tank is above the sacrificial anode.



CAUTION

6. If the water level is below the sacrificial anode (anti-cavitation plate), or if the cooling water supply is insufficient, the motor may melt.
7. Start the engine. Let it run until all the fuel in the engine runs out.
8. Remove the spark plug (s) (ATTENTION: the engine may be hot, expect to cool before performing this procedure). Add a small amount of engine oil into the cylinder. Move the engine start so that the oil spreads inside the engine;

ATTENTION

Engine may be hot after operation. When performing maintenance, be extremely careful not to touch the hot parts of the engine, such as the head, block and other parts.

Do not touch or remove any electrical parts when starting the engine or during its operation. Keep hands, hair and clothing away from the steering wheel or any other rotating part while the engine is running.

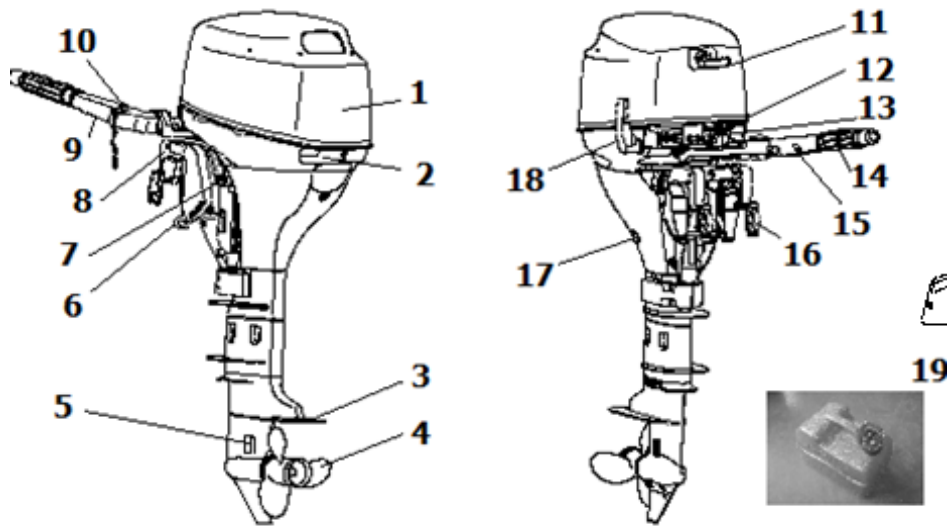
9. Add lubricant to each moving part of the equipment;
10. Replace the spark plugs;
11. Replace the upper fairing of the equipment;
12. Apply a layer of automotive wax to the outer surfaces to create strength and durability for your product;
13. Store the engine in an upright position;
14. Store in a well-ventilated, dry and direct sunlight environment.

ATTENTION:

Equipment equipped with portable fuel tank: store the tank in a dry, well ventilated area and without direct exposure to the sun.

10 PRINCIPALES COMPONENTES Y RECOMENDACIONES GENERALES

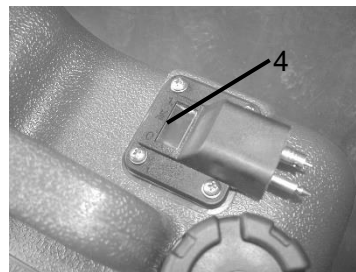
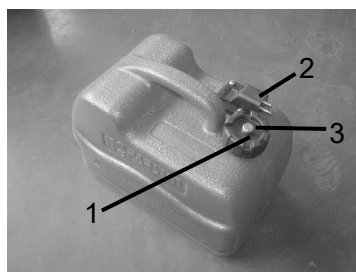
COMPONENTES



1. Tapa del motor	2. Traba de la tapa del motor
3. Placa Anticavitación	4. Hélice
5. Entrada de Agua para enfriamiento	6. Soporte de la popa
7. Tornillo de fricción de dirección	8. Abrazadera de la Popa
9. Alza	10. Interruptor de la Parada del Motor
11. Manubrio de arranque	12. Conector de la Manguera de Combustible
13. Avisos de Seguridad	14. Manubrio del acelerador
15. Ajuste de de fricción del acelerador	16. Tornillo de fijación
17. Tapón de drenaje de aceite del motor	18. Palanca de cambio de marchas
19. Tanque de combustible externo*	

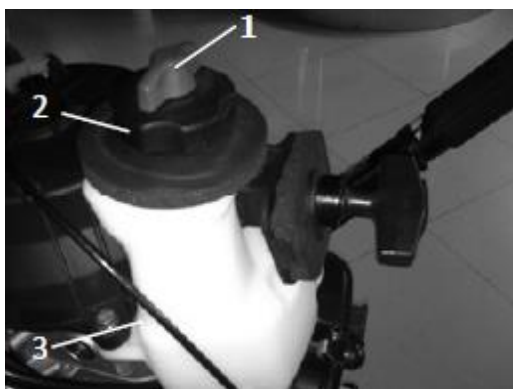
**** (esquema meramente ilustrativo – puede haber diferencias en los modelos presentados en este manual.)**

Para los modelos que vienen con el tanque de combustible externo:



1. Tapa del Tanque de Combustible	2. Conector de la manguera de Combustible
3. Válvula de ventilación	4. Medidor de combustible

Para los modelos que vienen con tanque de combustible interno:



1. Valvula de ventilación	2. Tapa del tanque de combustible
3. Tanque de combustible interno	4. Grifo de Combustible

AVISO: El tanque de combustible que acompaña el motor solo puede ser utilizado con el motor en funcionamiento, y no debe ser utilizado para almacenamiento. Cierre el grifo de combustible al utilizar el tanque externo. Desconecte la manguera de combustible al utilizar el tanque interno.

INSTRUCCIONES PARA ABASTECIMIENTO DE COMBUSTIBLE

Gasolina Recomendada:

Normal y sin plomo

Si utiliza gasolina con plomo, válvulas y otras partes del motor deben ser inspeccionadas después de cada 100 horas de operación.

ATENCION:

- No fume durante el abastecimiento, y mantenga lejos chispas, llamas y/o otras formas de ignición.
- Apague el motor antes de abastecer.
- Abastezca en áreas bien ventiladas; remueva el tanque de combustible externo del barco para reabastecerlo.
- No llene demasiado el tanque de combustible.
- Cuidado para no derramar combustible, si derrama limpie inmediatamente.
- Apriete la tapa de combustible de forma segura después del abastecimiento.
- En caso de ingestión de gasolina, inhalación de vapor de combustible o contacto con los ojos, busque inmediatamente orientaciones médicas.
- Si derrama gasolina sobre la piel lave inmediatamente con jabón y agua corriente. Si derrama sobre la ropa, cambie inmediatamente de ropa.

CUIDADOS:

Use solamente gasolina nueva y que tenga sido almacenada en tanques limpios, libre de agua y suciedades.

ACEITE MOTOR

Aceite del motor recomendado: Aceite del motor de popa 2 tiempos **TC-W3**

Mezcla de gasolina y aceite

Período adaptación	25:1				
	Gasolina	1L	12L	14L	24L
	Aceite motor 2T	0.04L	0.48L	0.56L	0.96L
Después período adaptación	50:1				
	Gasolina	1L	12L	14L	24L
	Aceite motor 2T	0.02L	0.24L	0.28L	0.48L

AVISO:

No opere el motor si el nivel de aceite esta por debajo del nivel indicado, esto puede dañar el motor. Siempre verifique el nivel de aceite del motor antes del arranque.

ATENCION:

Todos los motores fuera de borda 4 tiempos son enviados de fabrica sin aceite em el cárter.

SELECCION DE LA HELICE

El desempeño de su motor fuera de borda sera criticamente afectado por el tipo de helice seleccionada, una helice inapropiada puede afectar negativamente el desempeño del motor.

El motor fuera de borda esta equipado con helices escogidas para realizar mas de una gama de aplicaciones, pero puede haber situaciones especificas donde helices con diferentes características que pueden ser apropiadas.

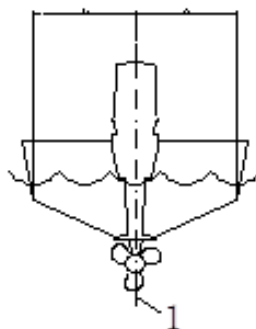
Los representantes Toyama pueden aconsejarlo sobre cual helice utilizar en el motor de fuera de borda que cumpla su aplicación.

Para mayores cargas y bajas rotaciones una helice de paso menor es mas adecuado. De la misma forma que una helice de paso mayor es mas adecuada para pequeñas cargas.

11 OPERACION

INSTALACION

Coloque el motor fuera de borda en la linea central del barco Para barcos sin linea de centro y que sean asimetricos, consulte su revendedor.



2. Línea de centro

NOTA:

Durante los ensayos de agua verificar la flotabilidad del barco, en reposo, con su carga máxima. Verifique si el nivel de agua está suficientemente bajo del escape para que evitar que entre agua, cuando el agua suba debido a las ondas y el motor no este encendido.

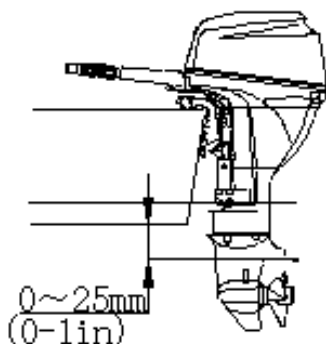
⚠ ATENCION:

- Sobrecargar el motor del barco puede causar graves inestabilidades. No instale un motor fuera de borda con más potencia de que la clasificación máxima en la placa del barco. Si el placo no viene con una placa de capacidad, consulte el fabricante del barco.
- El montaje incorrecto del motor fuera de borda puede resultar en condiciones peligrosas. Para los modelos montados permanentemente, su revendedor o otra persona con experiencia en la manipulación adecuada debe montar su motor. Si usted este montando el motor, uste debe estar entrenado por una persona experiente.
- Las informaciones presentadas en esta seccion destinanse apenas como referencia. La montaje adecuada depende, en parte, la experiencia y en la combinación barco-motor.

ALTURA DE MONTAJE

La altura de montaje del motor fuera de borda afecta significativamente el desempeño y velocidad del barco. Si la altura de montaje es demasiado elevada, puede ocurrir cavitación, reduciendo la propulsión, reduciendo asi la propulsión. Si la altura de montaje es demasiado baja, la resistencia del agua aumentara, reduciendo la eficiencia del motor.

Monte el motor de popa de modo que la placa de anticavitacion quede entre la parte inferior del barco y a un nivel de 25 milímetros abajo de este.

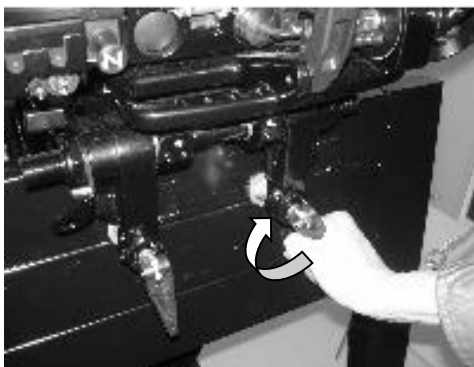


NOTA:

La altura optima de montaje del motor fuera de borda es afectada pela combinación del barco y motor. Testes a una altura diferente puede ayudar a determinar la altura ideal de montaje. Para más informaciones, consulte su revendedor TOYAMA.

FIJACION DEL MOTOR DE POPA

1. Posicione el motor en el apoyo próprio tan centrado lo máximo posible. Apriete bien las abrazaderas con seguridad y continuamente. Debido a la vibracion del motor, puede suceder que eventualmente se suelten los tornillos de fijación del barco, siempre verifique el apriete.



⚠ ATENCION

- Tornillos de fijacion sueltos pueden permitir que el motor fuera de buerda se suelte y se mueva sobre la embarcación. Esto puede causar perdida del control de la embarcacion.
- Asegúrese que los tornillos estén siempre firmes y apretados, verificando el aprieto ocasionalmente cuando esté utilizando el motor.

2. Amarre una cuerda para evitar la pérdida del motor si el mismo accidentalmente se suelta del barco y ca em el agua. Amarre una extremidad en el local del propio motor y otra extremidad en un punto seguro del barco.



3. Fije el soporte de fijación con los tornillos adecuados. Para mas detalles, consulte su revendedor TOYAMA.

⚠ ATENCION:

Evite usar tornillos, tuercas y arandela inapropiadas. Despues de apretar, teste el funcionamiento del motor y verifique nuevamente y apriete.

SUAVIZANDO EL MOTO FUERA DE BORDA

Su nuevo motor necesita de un periodo de suavizamiento para permitir que las superficies de las piezas se ajusten. Una correcta adaptacion del motor asegurara un desempeño adecuado y larga vida al motor.

⚠ ATENCION

Fallas en el procedimiento del suavizado puede disminuir la vida útil, perdida de desempeño.

Primera hora de operación:

- Operar el motor una rotación de 2000 rpm o aproximadamente media aceleración.

Próximas dos horas de operación:

- Operar el motor a una rotación de 3000 rpm o aproximadamente $\frac{3}{4}$ de aceleración.

Próximas 8 horas de uso:

- Evite la operación continua sin aceleración total por más de cinco minutos.
- Después del período opere el motor normalmente.

12 VERIFICACIONES PRÉ-OPERACION

Combustible

- Verifique si hay combustible suficiente para su viaje.
- Asegúrese que no hay fuga de combustible o vapores de gasolina.
- Verifique las conexiones de combustible y asegúrese de que están bien apretadas.
- Asegúrese de que el tanque de combustible está posicionado en una superficie plana y segura para que las mangueras no estén torcidas o aplastadas. El tanque y la manguera deben estar lejos del objeto cortantes.

Controles

- Verifique el acelerador y dirección para una operación adecuada antes de encender el motor.
- Los controles deben trabajar suavemente, sin holgura.
- Asegure de que no hay conexiones sueltas y dañadas.
- Verifique el funcionamiento de las llaves de arranque y parada del motor fuera de borda en el agua.

Motor

- Verifique el motor y la fijación.
- Verifique los tornillos flojos y dañados.
- Revise si hay daños en la hélice.

ATENCIÓN:

Si algún ítem durante la verificación de pre operación no está funcionando correctamente, repare antes de funcionar el motor fuera de borda. Caso contrario accidentes pueden suceder.

CUIDADO:

No inicie el motor fuera del agua, pues ira sobrecalentar el motor dañado gravemente y/o ocurrir serios accidentes.

13 ABASTECIMIENTO EL MOTOR FUERA DE BORDA

ATENCIÓN

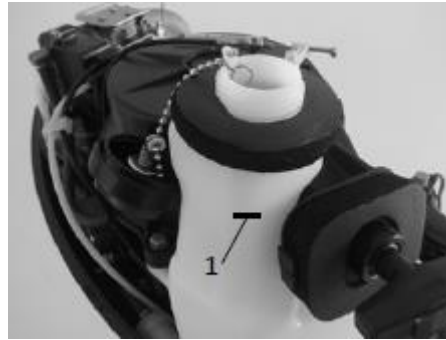
La gasolina y sus vapores son altamente inflamables y explosivos. Mantenga siempre lejos de chipas, cigarros, llamas y/o otras fuentes de ignición. Verifique la manguera de combustible si existen fugas, grietas y alguna función defectuosa.

1. Remueva la tapa del tanque de combustible.
2. Cuidadosamente llene el tanque con combustible. En los modelos donde el tanque de

combustible interno, llenar hasta el límite superior 1.



Tanque de Combustible Externo



Tanque de Combustible Interno (1 – Limite Superior)

3. Cierre bien la tapa despues de llenar el tanque. Limpie cualquier combustible derramado.

14 ENCENDIENDO EL MOTOR

1. Abrir la válvula de respiro del tanque de combustible. Girela una vuelta sentido anti-horario para que el tanque iterno y de dos hasta tres vueltas para em el mismo sentido para el tanque externo de combustible. Deje que la presión interna del tanque se iguale la del ambiente. Este passo es importante para permitir que el aire atmosférico entre em el tanque y ocupe el espacio de combustible en la medida que este es consumido por el motor.

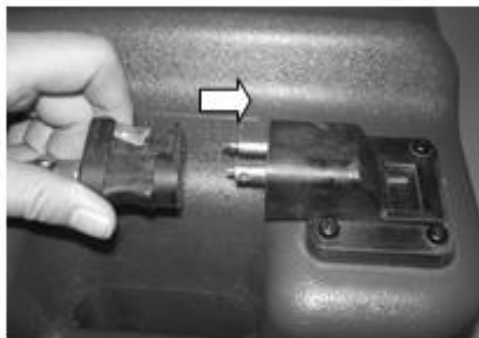


Tanque de Combustible Interno



Tanque de Combustible Externo

2. Conecte la manguera de combustible en el tanque y en el motor. Asegurese de que este firmemente encajada (*Este paso apenas para los motores conectados a tanques externos de combustible)



3. Abra el registro de combustible



Tanque de Combustible Interno



Tanque de Combustible Externo

4. Presione el cebador (bomba manual de combustible) hasta sentir una resistencia, la bomba ponerse rígida, indicando que el combustible llegó al motor.



Tanque de Combustible Interno



Tanque de Combustible Externo

5. Coloque la palanca de marcha en el punto muerto (NEUTRO).



⚠ Atención:

- El motor deber ser encendido en Neutro **N**, caso contráριο daños pueden ocurrir.
- No amarre el cordon del interruptor de para de emergencia en piezas de ropas que pueden soltarse facilmente. Evite enrollar el cordon y este atento para que los mismo no se amarren en partes del motor.
- Evite tirar de la cuerda accidentalmente durante la operación normal. Perdida de potencia del motor significa pérdida de control de la dirección. Además de eso, Si la potencia del motor, el barco puede desacelerarse rápidamente. Esto puede lanzar personas y objetos para la frente del barco.

NOTA:

Adapte el cordón del interruptor de parada de emergencia del motor en un local seguro sea en su brazo o pierna. En seguida, introduzca la placa de traba en el interruptor de parada del motor. Esta placa se encuentra en una de las extremidades del cordón interruptor de la parada de emergencia.



6. Coloque la palanca del acelerador en la posición de arranque alavanca do (Arranque Manual)



Arranque manual

7. Si el motor está frío, jale el botón del ahogador (1) para proporcionar una mezcla mas rica de combustible al motor (ahogador cerrado).



NOTA:

No es necesario ahogar el motor cuando pretendemos arrancarlo con el motor caliente. Si el motor continúa ahogado después que fue arrancado, el motor no tendrá un desempeño adecuado, pudiendo hasta apagarse. Por eso, después de arrancar el motor, coloque el botón del ahogador en su posición inicial nuevamente.

8. Tire de la cuerda de arranque lentamente, hasta sentir una resistencia y enseguida, empújelo rápidamente y con fuerza. Repita este procedimiento si es necesario.



9. Después que el motor fue colocado en funcionamiento, lentamente regrese el ahogador a su posición inicial.
10. Lentamente regrese el manubrio del acelerador para su posición totalmente cerrada.

CUIDADO:

Cuando el motor este frio, este necesita ser calentado.

Si el motor no enciende en la primera tentativa, repita el procedimiento.

Si el motor no enciende despues de 4 a 5 intentos, abra el acelerador una pequena cantidad (entre 1/8 y 1/4) , y intente nuevamente.

Nunca gire el boton de accionamiento para la posicion de ARRANQUE cuando el motor ya este en funcionamiento.

CALENTANDO EL MOTOR

1. Después de encender el motor, deje la marcha lenta por 3 minutos para calentar. No hacer esto disminuir vida útil del motor. A los pocos, coloque el ahogador en la posición inicial cuando el motor este caliente.
2. Compruebe si existe la presencia de un flujo constante de agua desde el orificio de refrigeración.



CUIDADO

Si el agua no fluye fuera del orificio de verificación mientras el motor está funcionando, apague el motor y verifique que la entrada de agua de refrigeración en la parte inferior o el agujero de refrigeración de agua está bloqueada.

Si el problema no se encuentra y se corrige, consulte al distribuidor autorizado.

COLOCANDO LOS CAMBIOS

Atención: Antes de acoplar las cambios, asegúrese de que no haya obstáculos o personas cerca.

CUIDADO

Antes de acoplar las marchas, gire la manopla de aceleración a la posición inicial (marcha lenta o bajísima velocidad)

Cambio para adelante - Avanzar

3. Coloque la palanca del acelerador en la posición totalmente cerrada (posición inicial).



4. Mueva la palanca de cambio de marchas rápidamente y con firmeza de neutro hacia adelante.



Cambio Reversa (*si equipado)

⚠ ATENCION:

Cuando opere en marcha atrás, vaya despacio. No acelera más que la mitad de la velocidad total o el barco podrá perder estabilidad, causando pérdida de control o algún accidente.

3. Coloque la palanca del acelerador en la posición totalmente cerrada (posición inicial).



4. Mueva la palanca de cambio de marchas rápida firmemente de neutro a reversa.



NOTA:

Compruebe que la palanca de inclinación está en el bloqueo / posición hacia abajo. Compruebe el apriete de las abrazaderas para asegurarse de que la embarcación no girará.

15 CAMBIO DE DIRECCION

1. Cambio de dirección

Para cambiar de dirección, mueva el timón hacia la izquierda o hacia la derecha, según sea necesario.



2. Alterar la velocidad

Gire la palanca del acelerador en el sentido contrario a las agujas del reloj para aumentar la velocidad y el tiempo para disminuir la velocidad.

3. Indicador Acelerador

La indicación de aceleración (1) está unido a la palanca del acelerador. La curva de consumo de combustible en el indicador del acelerador muestra la cantidad relativa de combustible consumido para cada posición del acelerador. Elija la configuración que ofrece el mejor rendimiento y ahorro de combustible y para la operación deseada.



4. Ajuste del tornillo de fricción

El regulador de la fricción del acelerador es en la palanca del timón, que ofrece resistencia ajustable al movimiento de la empuñadura del acelerador, y se puede ajustar según la preferencia del operador.

Para aumentar la resistencia, gire el ajuste en el sentido de las agujas del reloj. Para disminuir la resistencia, desconecte el ajustador de hora. Cuando la velocidad constante es deseada, apriete el ajustador para mantener el ajuste de aceleración deseado.



ATENCION:

No apriete demasiado el regulador de fricción. Si hay demasiada resistencia, puede ser difícil de mover la palanca del acelerador, lo que podría resultar en un accidente.

16 PARANDO EL MOTOR

NOTA:

Antes de apagar el motor fuera de borda, déjelo enfriar durante unos minutos en marcha lenta o baja. Parar inmediatamente después de un uso intensivo de alta velocidad y velocidad, puede dañar el motor.

PROCEDIMIENTO

1. Presione y mantenga presionado el botón de parada del motor fuera de borda hasta que esté completamente apagado.



NOTA:

Si el motor fuera de borda está equipado con la parada a través de una cuerda, éste también puede ser apagado tirando de la misma y removiendo la traba presente.

2. Apriete bien la válvula de ventilación del tanque de combustible y cierre el registro de combustible.



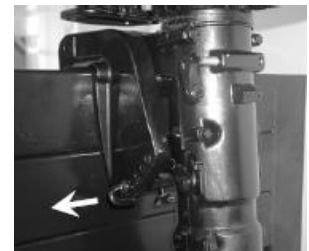
3. Cierre y desconecte la manguera de combustible.



AJUSTANDO LA POSICION DEL MOTOR

El motor presenta cuatro o cinco agujeros presentes para la regulación del ángulo del motor.

1. Apague el motor.
2. Retire el tornillo de ajuste de posición mientras inclina ligeramente el motor.
3. Vuelva a colocar el tornillo en la posición deseada (realice pruebas en diferentes posiciones para encontrar la posición que más se adecue a las condiciones de uso deseadas).



ATENCIÓN:

Asegúrese de que el motor esté apagado y completamente parado.

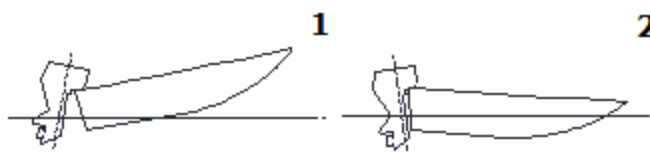
Opere con cuidado su manejo.

Tenga cuidado de no prensar partes del cuerpo al retirar y volver a colocar el tornillo de fijación. Tenga cuidado al cambiar la posición. Aumente gradualmente la velocidad después de realizar el cambio para verificar si la embarcación se encuentra estable. Los ángulos inadecuados pueden llevar a la pérdida del control del barco.

NOTA:

Coloque el motor fuera de borda en un ángulo que garantice el equilibrio y la estabilidad durante la navegación. Un excesivamente grande ángulo de equilibrio es incorrecta ya que hace que el arco (1). Por otro lado, un ángulo de equilibrio excesivamente pequeño hace que la proa quede sumergida (2). Es importante resaltar que el ángulo de equilibrio más adecuado depende de la

combinación entre el motor de popa utilizado, la embarcación, la hélice y la condición de funcionamiento.



Posicionando

Si su motor fuera de borda se queda parado durante un período o anclado en aguas poco profundas, éste debe inclinarse hacia arriba para proteger la hélice y la caja de transmisión, evitando daños con colisiones y reduciendo su corrosión.

ATENCIÓN:

- **Asegúrese de que las personas alrededor están a una distancia segura del motor para evitar accidentes.**
- **Asegúrese de que la válvula de ventilación de la tapa del tanque de combustible esté bien cerrada y que el grifo de combustible esté en la posición "cerrada" si el motor se inclina para evitar fugas.**
- **No empuje el motor a través de la palanca del timón, ya que puede perjudicar los componentes internos.**

Inclinando hacia arriba

6. Coloque la palanca de marchar en la posición NEUTRA.



7. Apriete el regulador de fricción de dirección, girando en el sentido de las agujas del reloj para evitar que el motor gire libremente.



* Comprobar según el modelo adquirido

8. Apriete bien la válvula de fijación de la tapa del tanque de combustible.



9. Cierre el grifo de combustible.



10. Sujete el asa trasera e incline totalmente el motor hasta que la palanca de soporte de inclinación se bloquee automáticamente. Si está equipado, será necesario antes levantar el bloqueo del control de inclinación.



Inclinando hacia abajo

1. Incline ligeramente el motor fuera de borda hacia arriba.
2. Lentamente, incline el motor fuera de borda mientras tira de la palanca de inclinación de la barra de apoyo hacia arriba.



Afloje el ajuste de fricción de dirección girando en el sentido contrario a las agujas del reloj, y ajuste la fricción de dirección de acuerdo con la preferencia del operador (ver según su modelo de motor)



ATENCIÓN

Si hay mucha resistencia, puede dificultar el guiar, pudiendo causar un accidente.

NAVEGANDO EN ÁGUAS RASAS

Para utilizar el motor fuera de borda en aguas poco profundas, éste debe ser usado parcialmente elevado.

AVISO

El orificio de entrada del agua de refrigeración no debe estar por encima de la línea de la superficie del agua del río / mar al navegar por aguas poco profundas. En caso contrario, pueden producirse daños severos debido al sobrecalentamiento del motor

NAVEGANDO EN ÁGUAS SALADAS

Después de utilizar el motor fuera de borda en agua salada, lave el paso de agua para refrigeración con agua dulce para prevenir la acumulación de depósitos de sal.

17 MANTENIMIENTO

Mientras se utiliza el motor fuera de borda, el mantenimiento periódico es necesario para que pueda garantizar su rendimiento.

⚠ ATENCIÓN:

Asegúrese de apagar el motor cuando se ejecuta el mantenimiento. Si usted o el propietario no está familiarizado con el mantenimiento de la máquina, este trabajo debe ser hecho por su representante autorizado o un mecánico cualificado.

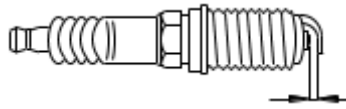
CUIDADO

Si las piezas de repuesto son necesarias, utilice piezas genuinas TOYAMA.

LIMPIEZA Y AJUSTE DE LA VELA DE IGNICIÓN

Es necesario remover periódicamente e inspeccionar la vela, ya que el calor y los residuos provocan el desgaste.

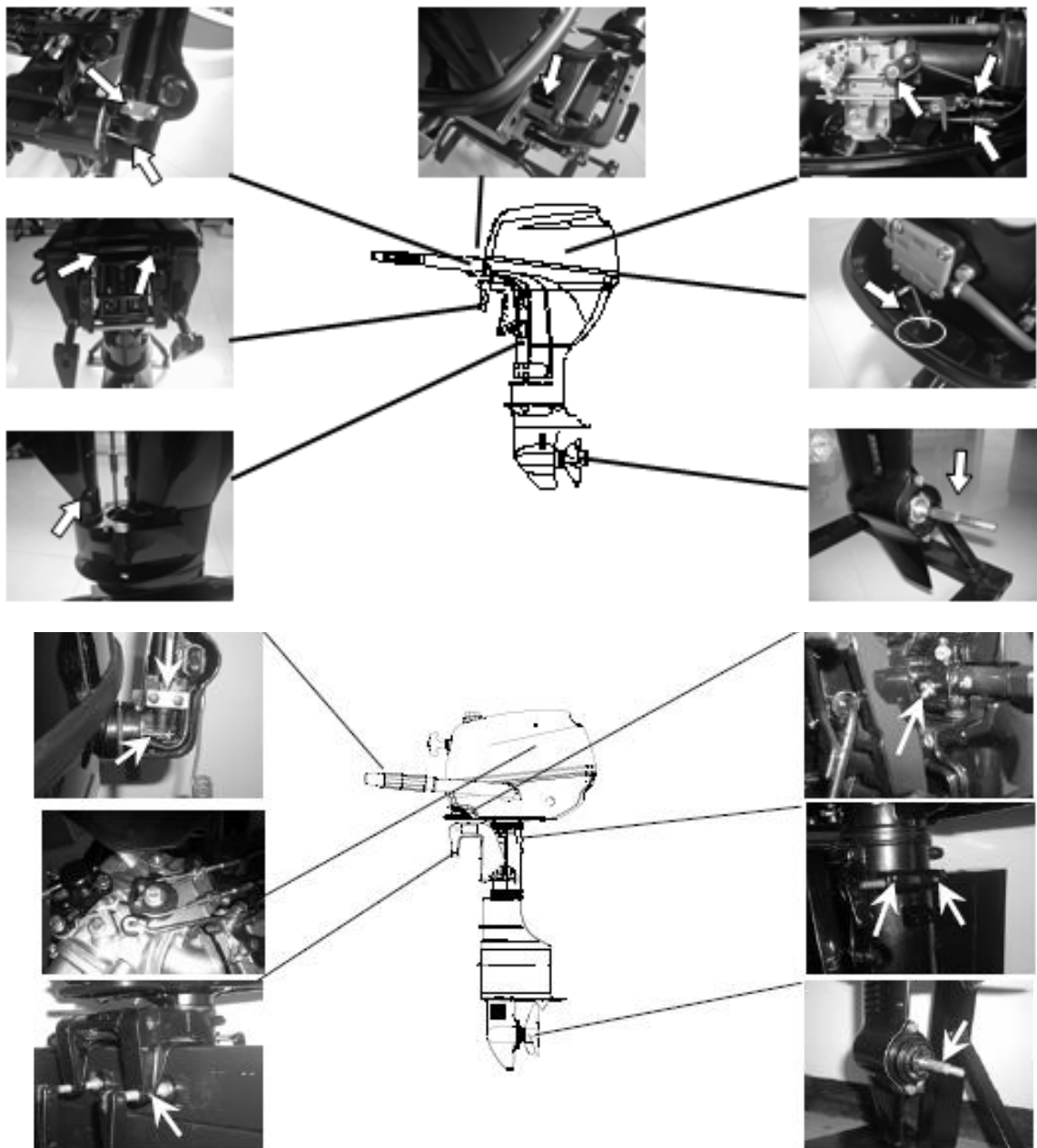
Si es necesario, debe sustituir la bujía por otra del mismo modelo. Antes de montar la bujía, medir la distancia entre los electrodos y ajustar la diferencia para la especificación si es necesario.



Al encajar la vela, siempre limpie la superficie de la junta y utilice una nueva junta. Limpie la suciedad del electrodo y apriete el tornillo de la vela para el torque correcto.

LUBRICACION

La lubricación debe realizarse periódicamente en los puntos presentados. Comprobar según el modelo adquirido.



VERIFICANDO EL SISTEMA DE COMBUSTIBLE

Compruebe indicios de fugas, mal funcionamiento o daños en general. Si se encuentra un problema, póngase en contacto con el representante autorizado o con un mecánico cualificado.



ATENCION

- **Verifique si hay fugas de combustible regularmente.**
- **Si se encuentra una fuga de combustible, el sistema de combustible debe ser reparado por un mecánico cualificado.**

VERIFICANDO LA MARCHA LENTA

Para la verificación de la marcha lenta es necesario el uso de un tacómetro. Los resultados pueden variar dependiendo de si la prueba se efectúa en un tanque de prueba, o con el motor en el agua.

1. Conecte el motor y déjelo calentar completamente en punto muerto hasta que esté funcionando perfectamente.
2. Asegúrese de que la velocidad de ralentí está establecida para la especificación.

CUIDADO

La correcta medición de la velocidad de la marcha lenta sólo es posible si el motor está completamente calentado. Si no se calienta completamente, la marcha lenta va a medir por encima de lo normal. Si tiene dificultades para comprobar la velocidad, o la velocidad de ralentí requiere un ajuste, póngase en contacto con el representante autorizado de TOYAMA.

ATENCION

El aceite se debe cambiar más frecuentemente cuando el motor fuera de borda se utiliza bajo condiciones severas y la aceleración prolongada y constante.

VERIFICACION DE CABLES Y CONEXIONES

Compruebe que cada cable de conexión a tierra está correctamente fijado y que cada conector está conectado de forma segura.

VERIFICACION DE FUGAS

Compruebe si no hay fugas de escape o de agua en los empalmes entre la cubierta de escape, la cabeza del cilindro y el cuerpo del cilindro.

Compruebe si hay fugas alrededor del motor.

CUIDADO

Si se encuentra alguna fuga, póngase en contacto con un representante de TOYAMA.

VERIFICANDO LA HÉLICE



ATENCION:

Usted puede lastimarse seriamente si el motor accidentalmente se enciende cuando usted está moviendo con la hélice o muy cerca de ella.

Antes de la inspección, remoción o instalación de la hélice, retire la tapa de las velas, coloque la marcha en Neutro (N), la llave general en APAGADO y retire la llave. Retire también

el cable de parada de emergencia del botón de emergencia y apague la batería.

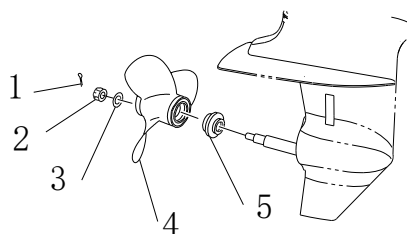
No utilice las manos para sujetar la hélice si pierde el tornillo de fijación de la hélice. Coloque un pedazo de madera entre la placa de anticavitación y la hélice, como forma de prevenir la misma de rotar.



6. Verifique en cada una de las paletas de la hélice si existe desgaste, erosión de la cavitación o ventilación y / o otros daños.
7. Verifique si hay daños en el eje de la hélice.
8. Verifique la clavija de bloqueo.
9. Verifique si existe una línea de pesca atada alrededor del eje de la hélice.
10. Compruebe si hay daños en el retén del eje de la hélice.

Extracción de la hélice

- Apriete el pasador y apriete con dos alicates.
- Quite la tuerca de la hélice, su arandela y espaciador (si está equipado).
- Retire la hélice y la arandela de empuje.



- 6.** Pino trava
- 7.** Tuerca de la hélice
- 8.** Arandela
- 9.** Hélice
- 10.** Arruela de empuje

Instalación de la Hélice

Para la instalación de Hélice seguir los siguientes procedimientos:

1. Aplique aceite anticorrosión en el eje de la hélice
2. Instale el espaciador (si está equipado), la arandela de empuje y la hélice en el eje
3. Instale la arandela y el tornillo de fijación, roscando con el torque correcto.
4. Alinee el tornillo de la hélice con el agujero del eje de la hélice. Inserte un nuevo pasador de fijación (doblado) y doble las puntas del pino después de la instalación.

CUIDADO

Asegúrese de instalar la arandela de empuje antes de instalar la hélice, de lo contrario las partes podrían dañarse.

Asegúrese de usar un nuevo paño de bloqueo para fijar correctamente la hélice, de lo contrario la hélice puede soltarse durante el funcionamiento del motor y / o perder.

CAMBIO DE ACEITE DE TRANSMISION

⚠ ATENCION

Asegúrese de que el motor fuera de borda está fijado al panel trasero o un soporte estable. Nunca quede debajo del motor mientras está levantado, incluso cuando el soporte de inclinación está bloqueado. Los graves accidentes pueden ocurrir si el motor se suelta y se cae.

8. Inclíne el motor fuera de borda para que el tornillo de drenaje del aceite de los engranajes esté en el punto más bajo posible.
9. Coloque un recipiente adecuado debajo de la caja de engranajes.
10. Retire el tapón de drenaje del aceite.



- 1 - Tapón drenaje de aceite
2 - Tapón verificación del nivel de aceite

CUIDADO

Cambie el aceite de la transmisión después de las primeras 10 horas de operación, y, a continuación, cada 100 horas o 6 meses, lo que ocurra primero. En caso contrario, los daños pueden ocurrir en los engranajes de la transmisión.

11. Retirar el tapón de verificación del nivel de aceite para permitir que el aceite escurra completamente.

CUIDADO

Inspeccione el aceite "viejo" después de drenado. Si presenta contaminación por agua, esto puede ser indicio de daños en los engranajes y en la transmisión. Consulte a su distribuidor TOYAMA.

12. Utilice un dispositivo flexible o presurizado para llenarlo e inyectar el aceite a través del orificio de drenaje.
13. Cuando el aceite empieza a fluir fuera del agujero del tapón de verificación del nivel de aceite, inserte el tornillo (medidor) del tapón y apriete.
14. Vuelva a colocar y apriete bien el tapón de drenaje del aceite de la transmisión.

LIMPEZA DEL TANQUE DE COMBUSTIBLE

CUIDADO

Al realizar el mantenimiento del tanque de combustible, mantenga distancia de chispas, cigarrillos, llamas, o cualquier otra fuente de ignición cuando limpie el tanque.

Realizar la limpieza del tanque de combustible en lugar abierto y bien ventilado.

1. Vacíe el tanque de combustible. Utilizar un recipiente adecuado y certificado para almacenar el combustible viejo.
2. Despeje una pequeña cantidad de disolvente apropiado dentro del tanque. Coloque la tapa del tanque y chasque el mismo. Drene el solvente completamente.
3. Quite la unión del filtro de combustible.
4. Limpie el filtro con disolvente y deje secar.
5. Sustituya la junta por una nueva. Reinstale firmemente el filtro y la unión, apretando bien los tornillos de fijación.

VERIFICACIÓN Y SUSTITUCIÓN DEL ÁNODO (S) DE SACRIFICIO

Los motores tienen un sistema para evitar la corrosión, constituido por ánodos.

Inspeccione los ánodos periódicamente. Quitar las capas de depósitos o suciedad de las superficies de los ánodos. Consulte a un distribuidor autorizado TOYAMA para sustituir los ánodos de sacrificio.

CUIDADO

No pinte los ánodos pues esto los haría ineficaces, acelerando el proceso de corrosión.



VERIFICACION DE LA CARCAZA SUPERIOR

Compruebe el encaje del carenado superior, empujándolo con las dos manos. Si está suelto el mismo debe ser reparado por un distribuidor autorizado TOYAMA.



TABLA DE MANTENIMIENTO

Cuando se utilizan en condiciones normales, con mantenimiento y reparaciones de forma adecuada, el motor puede funcionar normalmente dentro del período de vida normal. La frecuencia de las operaciones de mantenimiento puede ser mayor de acuerdo con las condiciones de funcionamiento, si estas condiciones son severas. La siguiente tabla muestra las orientaciones generales.

Item	Acción	Suavizamiento		Uso normal	
		10 Horas (1 mês)	50 Horas (3 mês)	100 Horas (6 mês)	200 Horas (1 ano)
Anodo(s) (externo)	Verificar/Cambiar		●/○	●/○	
Anodo(s) (interno)	Verificar/Cambiar				○
Pasaje de agua de resfriamiento	Limpiar		●	●	
Abrazaderas de fijación	Verificar				●
Filtro de combustible	Verificar	●	●	●	
Sistema de combustible	Verificar	●	●	●	
Tanque combustible externo	Verificar/Limpiar				●
Aceite del engranaje	Cambiar	●		●	
Puntos de lubricación	Lubricar			●	
Velocidad de marcha lenta (modelos con carburador)	Verificar/Ajustar	●/○		●/○	
Hélice y pino traba	Verificar/Cambiar		●	●	
Transmisión	Verificar/Ajustar				○
Termostato	Verificar				○
Cable del acelerador	Verificar/Ajustar				○
Bomba de Agua	Verificar				○
Aceite del motor	Verificar/Cambiar	●		●	
Filtro de aceite	Cambiar				○
Cadena de transmisión	Verificar/Ajustar			○	○
Holgura de la válvula	Verificar/Ajustar	○		○	
Bujía	Limpiar/ajustar/ Cambiar	●			●

"●" símbolo indica los chequeos (comprobaciones) que puede realizar por usted mismo.

"○" símbolo indica el trabajo a realizar por su distribuidor autorizado TOYAMA.

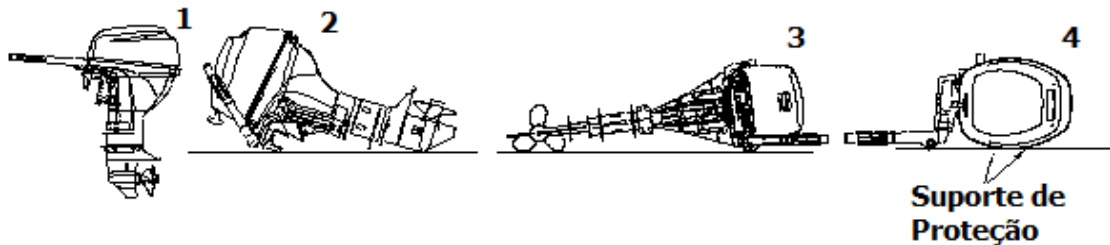
NOTA:

Cuando esté operando en agua salada, agua barrenta o turbia, el motor debe lavarse con agua limpia después de cada uso.

18 TRANSPORTANDO Y ALMACENANDO

TRANSPORTANDO

El motor fuera de borda debe ser transportado en posición vertical (1). En caso de necesidad de accionar el motor, hacer de acuerdo con las posiciones (2) y (3).



CUIDADO:

No incline el motor cuando el mismo esté fijo en la embarcación y sea remolcado por carreta. El motor puede soltarse del soporte de fijación y caerse. Transporte siempre que sea posible el motor en su posición normal de funcionamiento (1). Si necesita transportarlo inclinado, utilizar un dispositivo extra de fijación.

Al transportar, prestar atención al tanque de combustible.

No llene el tanque de combustible más allá de su capacidad máxima, pues con el calentamiento, puede ocurrir expansión en la gasolina, pudiendo llevar a la fuga del combustible.

Procure no quedarse debajo del motor levantado, aunque éste presente un soporte.

Coloque una toalla o un paño debajo del motor para protegerlo de daños cuando esté en las posiciones 2 y 3.

Coloque un soporte de protección al transportar el motor (4).

Almacenamiento

Al almacenar su motor de popa por períodos prolongados (2 meses o más), algunos procedimientos son aconsejables para evitar daños excesivos.

ATENCIÓN:

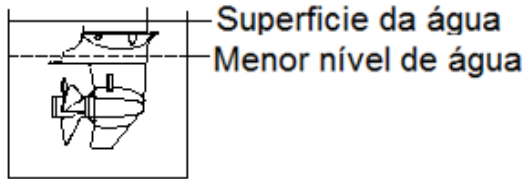
Mantenga el motor fuera de borda en posición vertical cuando vaya a almacenarlo. Si necesita almacenar el motor acostado (en el lateral), utilice un soporte y drene previamente todo el combustible del motor.

Asegúrese de que el agua de refrigeración haya sido completamente drenada antes de colocar el motor fuera de borda acostado.

Guarde el motor fuera de borda en un ambiente seco y bien ventilado, no dejando directamente sobre la luz del sol.

Se recomienda consultar a su distribuidor autorizado TOYAMA para que éste realice los procedimientos, pero si lo desea, se puede hacer con algunas herramientas.

1. Limpie el motor fuera de borda, utilizando agua fresca y limpia
2. Desconecte la manguera de combustible y apriete el tapón de ventilación del tanque.
3. Retire el carenado superior del equipo;
4. Coloque el motor fuera de borda en el tanque de prueba
5. Llene el tanque con agua fresca hasta que el nivel de agua en el tanque esté por encima del ánodo de sacrificio.



CUIDADO

Si el nivel de agua está por debajo del ánodo de sacrificio (placa de anticavitación), o si el suministro de agua para refrigeración es insuficiente, el motor puede fundir.

6. Encienda el motor. Deje en funcionamiento hasta que se agote todo el combustible del motor.
7. Retire la (s) vela (s) (ATENCIÓN: el motor puede estar caliente, espere a que se enfríe antes de realizar este procedimiento). Agregue una pequeña cantidad de aceite de motor dentro del cilindro. Mueva la partida del motor de modo que el aceite se extienda en el interior del mismo;

ATENCION

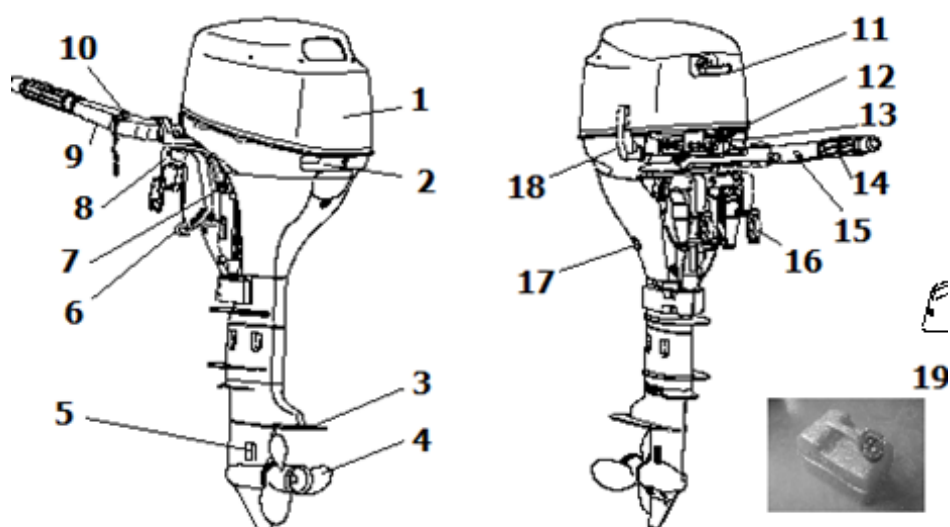
El motor puede estar caliente después de operar. Al realizar el mantenimiento, tenga extremo cuidado para no tocar las partes calientes del motor, como cabezal, bloque y demás partes. No toque ni retire ninguna parte eléctrica cuando arranque el motor o durante su funcionamiento.

Mantenga las manos, el pelo y la ropa lejos del volante o cualquier otra rotación mientras el motor esté en funcionamiento.

8. Agregue lubricante en cada parte móvil del equipo;
9. Vuelva a colocar las velas;
10. Vuelva a colocar el carenado superior del equipo;
11. Aplique una capa de cera automotriz en las superficies externas para crear resistencia y durabilidad a su producto;
12. Almacene el motor en posición vertical;
13. Almacenarlo en un ambiente ventilado, seco y sin exposición directa al sol.

19 PRINCIPAIS COMPONENTES E RECOMENDAÇÕES GERAIS

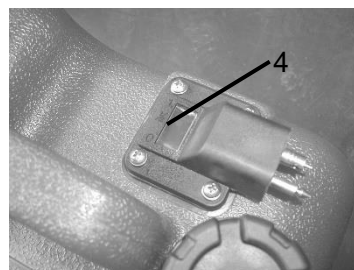
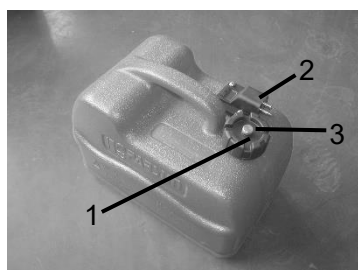
COMPONENTES



1. Tampa do Motor	2. Trava da Tampa do Motor
3. Placa Anticavitação	4. Hélice
5. Entrada de Água para resfriamento	6. Suporte da Popa
7. Parafuso de Fricção da Direção	8. Braçadeira da Popa
9. Alça Leme	10. Interruptor de Parada do Motor
11. Manopla de Partida	12. Conector da Mangueira de Combustível
13. Avisos de Segurança	14. Manopla do Acelerador
15. Ajuste de Fricção do Acelerador	16. Parafuso de Fixação
17. Bujão de Drenagem do Óleo do Motor	18. Alavanca de Mudança de Marcha
19. Tanque de Combustível Externo*	

**** (esquema meramente ilustrativo – pode haver diferença nos modelos deste manual)**

Para os modelos que acompanham tanque de combustível externo:



1. Tampa do Tanque de Combustível	2. Conector da Mangueira de Combustível
3. Válvula do respiro	4. Medidor de combustível

Para os modelos que incluem tanque de combustível interno:



1. Válvula do respiro	2. Tampa do Tanque de Combustível
3. Tanque de Combustível Interno	4. Torneira de Combustível

AVISO: O tanque de combustível que acompanha o motor só pode ser utilizado com o motor em funcionamento, e não ser utilizado para armazenagem. Feche a torneira de combustível ao utilizar o tanque externo. Desconecte a mangueira de combustível ao utilizar o tanque interno.

INSTRUÇÕES PARA ABASTECIMENTO DE COMBUSTÍVEL

Gasolina Recomendada:
Normal e sem chumbo

Se utilizar gasolina com chumbo, válvulas e outras partes do motor devem ser inspecionadas depois de cada 100 horas de operação

⚠ ATENÇÃO:

- Não fume durante o abastecimento, e mantenha longas faíscas, chamas ou outras formas de ignição.
- Desligue o motor antes de abastecer
- Abasteça em áreas bem ventiladas; retire o tanque de combustível externo do barco para reabastecê-lo.
- Não encha demasiado o tanque de combustível.
- Cuidado para não derramar combustível, se derramar limpe imediatamente.
- Aperte a tampa de combustível de forma segura após o reabastecimento.
- Em caso de ingestão de gasolina, inalação de vapor de combustível ou contato com os olhos, procure imediatamente orientações médicas.
- Se derramar gasolina sobre a pele lave imediatamente com sabão e água corrente. Se derramar sobre a roupa, troque imediatamente de roupa.

CUIDADOS:

Use somente gasolina nova e que tenha sido armazenada em reservatórios limpos, livre de água ou sujeiras.

ÓLEO MOTOR

Óleo motor recomendado: **Óleo de motor de popa 2 tempos TC-W3.**

Gasolina e mistura de óleo:

Período adaptação	Gasolina	25:1			
		1L	12L	14L	24L
	Óleo motor 2T	0.04L	0.48L	0.56L	0.96L
Depois período adaptação	Gasolina	50:1			
		1L	12L	14L	24L
	Óleo motor 2T	0.02L	0.24L	0.28L	0.48L

CUIDADOS:

Assegure-se de misturar corretamente a gasolina com óleo motor ou poderá causar graves avarias ao motor.

SELEÇÃO DA HÉLICE

A performance do seu motor de popa será criticamente afetada pela sua escolha de hélice, uma escolha inapropriada pode afetar negativamente no desempenho.

O motor de popa é equipado com hélices escolhidas para realizar mais de uma gama de aplicações, mas pode haver situações específicas onde hélices com diferentes características podem ser mais apropriadas.

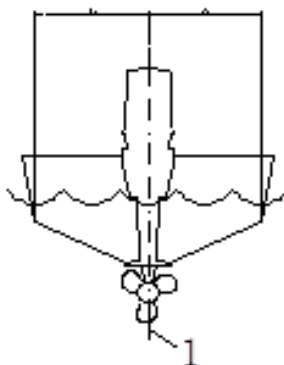
Os Representantes Toyama podem aconselhar você sobre qual hélice utilizar no motor de popa que mais se adequa para sua situação específica.

Para maiores cargas e baixas rotações uma hélice de passo menor é mais adequado. Da mesma forma uma hélice de passo maior é mais adequado para pequenas cargas.

20 OPERAÇÃO

INSTALAÇÃO

Monte o motor de popa na linha de centro do barco (linha de quilha). Para barcos sem uma linha de centro e que sejam assimétricos, consulte seu revendedor.



3. Linha de centro

NOTA:

Durante os testes de água verificar a flutuabilidade do barco, em repouso, com a sua carga máxima.

Verifique se o nível de água esteja suficientemente abaixo do escape para que não entre água pela alimentação, quando a água sobe devido às ondas e o motor não estiver desligado.

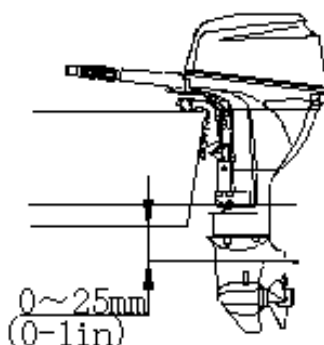
⚠️ ATENÇÃO:

- Sobrecarregar o motor do barco pode causar graves instabilidades. Não instale um motor de popa com mais potência do que a classificação máxima na placa de capacidade do barco. Se o barco não tiver uma placa de capacidade, consulte o fabricante do barco.
- A montagem incorreta do motor de popa pode resultar em condições perigosas. Para os modelos montados permanentemente, o seu revendedor ou outra pessoa com experiência em manipulação adequada deve montar o motor. Se você estiver montando o motor, você deve ser treinado por uma pessoa experiente. Para os modelos portáteis, o seu representante ou outra pessoa com experiência em montagem adequada de motor de popa deve mostrar-lhe como montar o motor.
- As informações apresentadas nesta secção destinam-se apenas como referência. Montagem adequada depende, em parte, na experiência e na combinação específica barco-motor.

ALTURA DE MONTAGEM

A altura de montagem do motor de popa afeta significativamente o desempenho e velocidade do barco. Se a altura de montagem é demasiadamente elevada, tende a ocorrer cavitação, reduzindo assim a propulsão. Se a altura de montagem é muito baixa, a resistência da água aumentará, reduzindo a eficiência do motor.

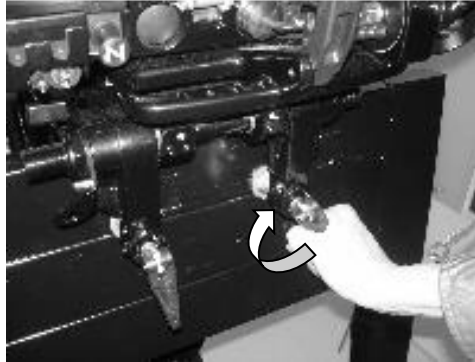
Monte o motor de popa de modo que a placa de anticavitação fique entre a parte inferior do barco e a um nível de 25 milímetros abaixo dela.

**NOTA:**

A altura ótima de montagem do motor de popa é afetada pela combinação do barco, motor e do uso pretendido. Testes a uma altura diferente pode ajudar a determinar a altura ideal de montagem. Para mais informações, consulte o seu revendedor TOYAMA ou a própria TOYAMA pelo nosso SAC.

FIXAÇÃO MOTOR DE POPA

1. Posicione o motor no apoio próprio tão centrado quanto possível. Aperte bem as braçadeiras com segurança e continuamente. Devido à vibração do motor, pode acontecer dos parafusos de fixação no barco eventualmente se soltarem, cheque sempre o aperto dos mesmos.



ATENÇÃO

- Parafusos de fixação soltos podem permitir que o motor de popa se solte ou se mova sobre o espelho de popa da embarcação. Isto pode causar perda de controle da embarcação.
 - Tenha sempre a certeza de que os parafusos estão firmes e apertados, checando o reaperto ocasionalmente quando estiver utilizando o motor.
2. Amarre uma corda ou corrente para evitar a perda do motor se o mesmo, acidentalmente, se soltar do barco e cair na água. Prenda uma extremidade no local próprio do motor e outra extremidade em um ponto seguro do barco



3. Fixe o suporte de fixação na travessa com os parafusos adequados. Para mais detalhes, consulte o seu revendedor TOYAMA.

ATENÇÃO:

Evite usar parafusos, porcas e arruelas inapropriadas. Depois de apertar, testar o funcionamento do motor e verificar novamente o aperto.

AMACIANDO MOTOR DE POPA

Seu novo motor necessita de um período de amaciamento para permitir que as superfícies das peças se ajustem. Uma correta adaptação do motor assegurará um desempenho adequado e longa vida ao motor de popa.

ATENÇÃO

Falhas no procedimento de amaciamento podem resultar em redução da vida útil, perda de desempenho ou mesmo sérias avarias no motor de popa.

1. Primeira hora de operação:
Operar o motor a uma rotação de 2000 rpm ou aproximadamente meia aceleração.
2. Próximas duas horas de operação:
Operar o motor a uma rotação de 3000 rpm ou aproximadamente $\frac{3}{4}$ de aceleração.
3. Próximas 8 horas de uso:
Evite operação contínua com aceleração total por mais de cinco minutos.
4. Após esse período opera o motor normalmente.

21 VERIFICAÇÕES PRÉ- OPERAÇÃO

Combustível

- Verifique se há combustível suficiente para sua viagem.
- Assegure-se de que não há vazamento de combustível ou vapores de gasolina.
- Verifique as conexões de combustível e assegure-se de que estejam bem apertadas.
- Assegure-se de que o tanque de combustível esteja posicionado em uma superfície plana e segura e de que as mangueiras não estejam torcidas ou amassadas. O tanque e a mangueira devem estar longes de objetos cortantes.

Controles

- Verifique acelerador e direção para uma operação adequada antes de ligar o motor.
- Os controles devem trabalhar suavemente, sem folga.
- Assegure-se de que não há conexões soltas ou danificadas.
- Verifique o funcionamento das chaves de partida e parada, quando o motor de popa estiver na água.

Motor

- Verifique o motor e a fixação.
- Verifique para parafusos frouxos e avariados.
- Verifique a hélice por avarias.



Atenção:

Se algum item na verificação de pré-operação não estiver funcionando corretamente, repare-o antes de funcionar o motor de popa. Caso contrário acidentes podem ocorrer.

CUIDADO:

Não inicie o motor fora da água, pois irá sobreaquecer o motor danificando-o gravemente ou ocorrer sérios acidentes.

22 ABASTECIMENTO DE COMBUSTÍVEL

Atenção:



A gasolina e seus vapores são altamente inflamáveis e explosivos. Manter sempre longe de faíscas, cigarros, chamas ou outras fontes de ignição. Verifique a mangueira de combustível se existem vazamentos, rachaduras ou alguma função defeituosa.

1. Remova a tampa do tanque de combustível.
2. Cuidadosamente encha o tanque com combustível. Nos modelos onde o tanque de combustível é interno, completar até o limite superior 1.



Tanque de Combustível Externo



Tanque de Combustível Interno (1 – Limite Superior)

3. Feche bem a tampa depois de encher o tanque. Limpe qualquer combustível derramado.

23 LIGANDO O MOTOR

11. Abra o bujão de respiro do tanque de combustível. Gire uma volta no sentido anti-horário para o tanque interno de combustível e de duas a três voltas, no mínimo e no mesmo sentido, para o tanque externo de combustível. Deixe que a pressão interna no tanque se equipare com a do ambiente. Este passo é importante para permitir que o ar atmosférico entre no tanque e ocupe o espaço do combustível a medida que este é consumido pelo motor.

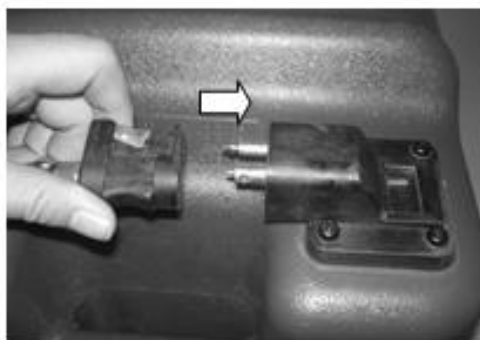


Tanque de Combustível Interno



Tanque de Combustível Externo

12. Conecte a mangueira de combustível no tanque e no motor. Certifique-se de que esteja firmemente encaixada (*Este passo apenas para os motores conectados a tanques externos de combustível)



13. Abra o registro de combustível



Tanque de Combustível Interno



Tanque de Combustível Externo

14. Pressione o primer (bomba manual de combustível) até sentir uma resistência, a bomba ficar rígida, indicando que o combustível chegou ao motor.



Tanque de Combustível Interno



Tanque de Combustível Externo

15. Coloque a alavanca de marcha em ponto morto (NEUTRO).



⚠️ Atenção:

- O motor deve ser iniciado em Neutro **N**, caso contrário danos podem ocorrer ao mesmo.
- Não prenda o cordão do interruptor de parada de emergência em peças de roupas que podem facilmente se soltar. Evite enrolar o cordão e fique atento para que o mesmo não prenda em outras partes do motor.
- Evite puxar a corda acidentalmente durante a operação normal. Perda de potência do motor significa a perda de controle da direção. Além disso, sem a potência do motor, o barco pode desacelerar rapidamente. Isso pode levar as pessoas e objetos no barco para serem jogados para frente.

NOTA:

Adapte o cordão do interruptor de parada de emergência do motor em um local seguro em sua roupa, braço ou perna. Em seguida, introduza a placa de trava no interruptor de parada do motor. Esta placa encontra-se em uma das extremidades do cordão do interruptor de parada de emergência.



16. Coloque a alavanca do acelerador na posição de partida (Partida Manual)



Partida Manual

17. Se o motor estiver frio, puxe o botão do afogador (1) para proporcionar uma mistura mais rica de combustível ao motor (afogador fechado).



NOTA:

Não é necessário afogar o motor quando se pretende dar a partida em um motor quente.

Se o motor continuar com o afogador fechado após ter sido dado a partida, o motor não terá um desempenho adequado, podendo até apagar. Por isso, após a partida do motor, retorne o botão do afogador para sua posição inicial.

18. Puxe a manopla de partida, lentamente, até sentir uma resistência e, em seguida, puxe-a rapidamente e com firmeza. Repita este procedimento caso necessário.



19. Depois do motor ser colocado em funcionamento, lentamente retorne o afogador para sua posição inicial.

20. Lentamente retorne o punho do acelerador para a posição totalmente fechada.

CUIDADO:

Quando o motor estiver frio, ele precisa ser aquecido.

Se o motor não ligar na primeira tentativa, repita o procedimento.

Se o motor não ligar após 4 ou 5 tentativas, abrir o acelerador uma pequena quantidade (entre 1/8 e 1/4), e tente novamente.

Nunca gira o botão de acionamento para a posição de PARTIDA quando o motor já estiver em funcionamento.

AQUECENDO O MOTOR

1. Depois de ligar o motor, deixe-o em marcha lenta por 3 minutos para aquecer. Não fazer isso irá diminuir vida útil do motor. Aos poucos, volte o botão do afogador para a posição inicial quando o motor aquecer.
2. Verifique se há a presença de um fluxo constante de água a partir do orifício de arrefecimento.



CUIDADO

Se a água não estiver fluindo para fora do orifício de verificação, enquanto o motor estiver funcionando, desligue o motor e verifique se a entrada de água de refrigeração na parte inferior do caso ou o buraco piloto de resfriamento de água está bloqueado.

Se o problema não puder ser localizado e corrigido, consulte o revendedor autorizado.

ENGATANDO AS MARCHAS

Atenção: Antes de engatar as marchas, verifique se não existem obstáculos ou pessoas na proximidade.

CUIDADO

Antes de engatar as marchas, gire a manopla de aceleração à posição inicial (marcha lenta ou baixíssima velocidade)

Marcha à frente - Avançar

5. Coloque o manípulo do acelerador na posição totalmente fechada (posição inicial).



6. Mova a alavanca de mudança de marchas rapidamente e com firmeza de neutro para marcha à frente.



Marcha Ré (*se equipado)

⚠️ATENÇÃO:

Quando operando em marcha a ré, vá devagar. Não acelere mais que a metade da velocidade total ou o barco poderá perder estabilidade, causando perda de controle ou algum acidente.

5. Coloque o manípulo do acelerador na posição totalmente fechada (posição inicial).



6. Mova a alavanca de mudança de marchas rápida firmemente de neutro para Ré.



NOTA:

Verifique se a alavanca de inclinação está no bloqueio / posição para baixo. Confira o aperto das abraçadeiras para garantir que a embarcação não irá virar.

24 MUDANDO DE DIREÇÃO

5. Mudança de direção

Para mudar de direção, mova o leme para a esquerda ou para a direita, conforme necessário.



6. Alteração de velocidade

Gire a alavanca do acelerador no sentido anti-horário para aumentar a velocidade e horário para diminuir a velocidade.

7. Indicador Acelerador

A indicação de aceleração (1) está fixada na alavanca do acelerador. A curva de consumo de combustível no indicador do acelerador mostra a quantidade relativa de combustível consumidos para cada posição do acelerador. Escolha a definição que oferece o melhor desempenho e economia de combustível e para a operação desejada.



8. Ajuste do parafuso de fricção

O regulador da fricção do acelerador é na alavanca do leme, que oferece resistência ajustável ao movimento do punho do acelerador, e pode ser ajustado de acordo com a preferência do operador.

Para aumentar a resistência, gire o ajuste no sentido horário. Para diminuir a resistência, desligue a ajustador de horário. Quando a velocidade constante é desejada, aperte o ajustador para manter o ajuste de aceleração desejado.



⚠ ATENÇÃO:

Não aperte demais o regulador de fricção. Se houver demasiada resistência, pode ser difícil de mover a alavanca do acelerador, o que poderia resultar em um acidente.

25 PARANDO O MOTOR

NOTA:

Antes de desligar o motor de popa, deixe-o resfriar por alguns minutos em marcha lenta ou em baixa velocidade. Pará-lo imediatamente após uso intenso de alta rotação e velocidade, pode danificar o motor.

PROCEDIMENTO

4. Pressione e mantenha pressionado o botão de parada do motor de popa até que este esteja completamente desligado.



NOTA:

Caso o motor de popa seja equipado com a parada através de uma corda, este também poderá ser desligado puxando a mesma e removendo a trava presente.

5. Aperte bem a válvula de respiro do tanque de combustível e feche o registro de combustível.



6. Feche e desconecte a mangueira de combustível.



AJUSTANDO A POSIÇÃO DO MOTOR

O motor apresenta quatro ou cinco furos presentes para a regulação do ângulo do motor.

4. Desligue o motor.
5. Retire o parafuso de ajuste de posição enquanto inclina levemente o motor.
6. Recoloque o parafuso na posição desejada (realize testes em diferentes posições para encontrar a posição que mais se adeque as condições de uso pretendidas).



ATENÇÃO:

Certifique-se que o motor esteja desligado e completamente parado.

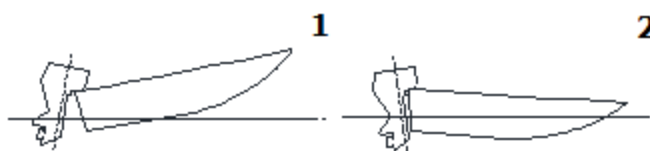
Opere com cuidado o seu manuseio.

Atente-se para não prensar partes do corpo quando remover e recolocar o parafuso de fixação.

Tenha cuidado ao mudar a posição. Aumente gradativamente a velocidade após feita a mudança para verificar se a embarcação se encontra estável. Ângulos inadequados podem levar a perda do controle do barco.

NOTA:

Posicione o motor de popa em um ângulo que garanta equilíbrio e estabilidade durante a navegação. Um ângulo de equilíbrio excessivamente grande é incorreto pois faz a proa levantar (1). Por outro lado, um ângulo de equilíbrio excessivamente pequeno faz a proa ficar submersa (2). Vale a pena ressaltar que o ângulo de equilíbrio mais adequado depende da combinação entre o motor de popa utilizado, embarcação, hélice e condição de funcionamento.



Posicionando-o

Caso seu motor de popa fique parado por um período ou ancorado em águas rasas, este deve ser inclinado para cima para proteger a hélice e a caixa de transmissão, evitando danos com colisões e reduzindo sua corrosão.

ATENÇÃO:

- Certifique-se que pessoas ao redor estejam a uma distância segura do motor, para evitar acidentes.
- Certifique-se que a válvula de respiro da tampa do tanque de combustível esteja bem fechada, e que a torneira de combustível esteja na posição “fechada” caso o motor fique inclinado, para evitar vazamentos.
- Não empurre o motor através da alavanca do leme, pois pode prejudicar os componentes internos.

Inclinando-o para cima

11. Posicione a alavanca de marchar na posição NEUTRA.

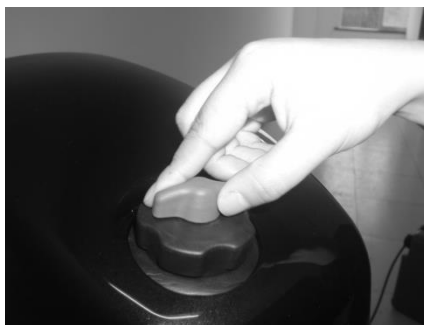


12. Aperte o regulador de fricção de direção, girando no sentido horário para evitar que o motor gire livremente.

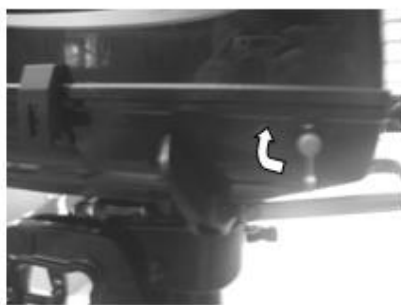


*Verificar conforme modelo adquirido

13. Aperte bem a válvula de fixação da tampa do tanque de combustível.



14. Feche a torneira de combustível.



15. Segure a alça traseira e incline totalmente o motor até que a alavanca de suporte de inclinação bloqueie automaticamente. Caso equipado, será necessário antes levantar a trava do controle de inclinação.



Inclinando-o para baixo

3. Incline levemente o motor de popa para cima.
4. Lentamente, incline o motor de popa para baixo enquanto puxa a alavanca de inclinação da barra de apoio para cima.



5. Afrouxe o ajuste de fricção de direção girando no sentido anti-horário, e ajuste a fricção de direção de acordo com a preferência do operador (Ver conforme seu modelo de motor)



ATENÇÃO

Se houver muita resistência, pode dificultar o guiar, podendo causar um acidente.

NAVEGANDO EM ÁGUAS RASAS

Para utilizar o motor de popa em águas rasas, este deve ser usado parcialmente elevado.

AVISO

O orifício de entrada da água de refrigeração não deve ficar acima da linha da superfície da água do rio/mar ao se navegar por águas rasas. Caso contrário, danos severos podem ocorrer devido ao sobreaquecimento do motor

NAVEGANDO EM ÁGUAS SALGADAS

Após utilizar o motor de popa em água salgada, lave a passagem de água para refrigeração com água doce para prevenir o acúmulo de depósitos de sal.

26 MANUTENÇÃO

Enquanto estiver usando o motor de popa, a manutenção periódica é necessária para que você possa garantir o seu desempenho.

⚠️ ATENÇÃO:

Certifique-se de desligar o motor quando você for executar manutenção. Se você ou o proprietário não está familiarizado com a manutenção da máquina, este trabalho deve ser feito pelo seu representante autorizado ou um mecânico qualificado.

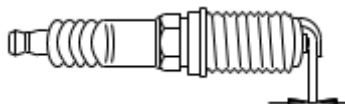
CUIDADO

Se as peças de reposição são necessárias, use peças genuínas TOYAMA.

LIMPEZA E AJUSTE DA VELA DE IGNIÇÃO

É necessário remover periodicamente e inspecionar a vela, pois o calor e os resíduos provocam o desgaste.

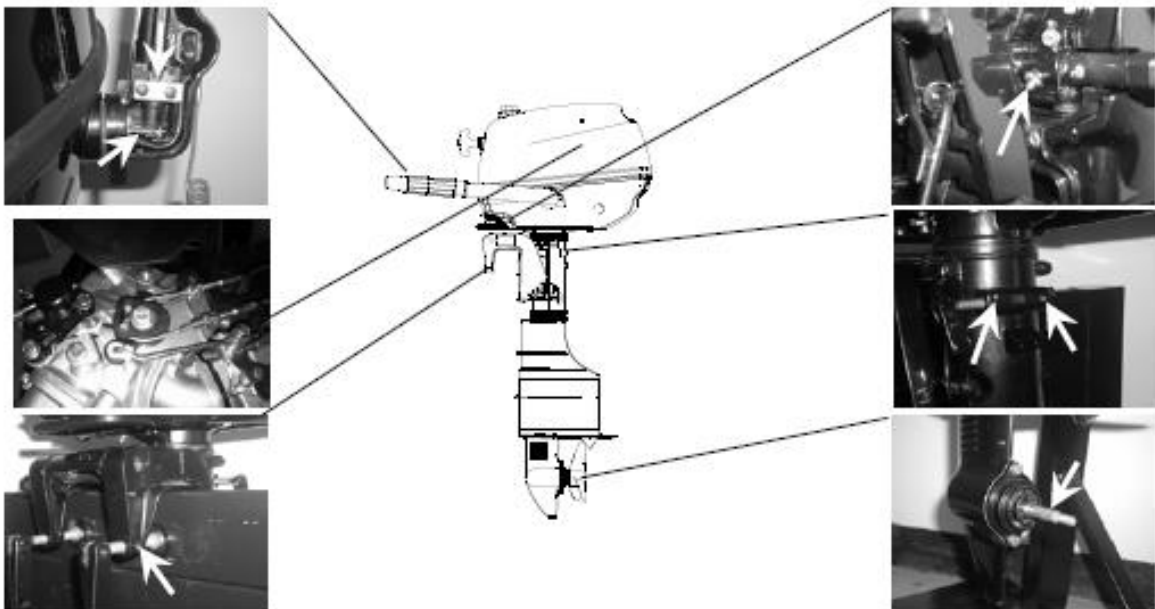
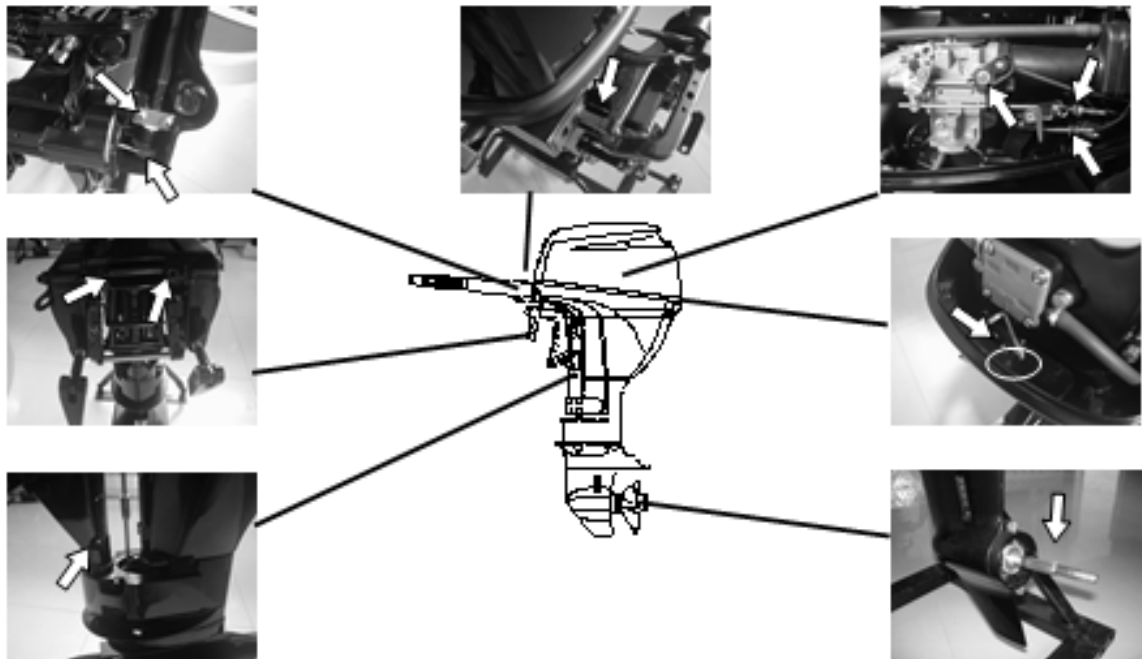
Se necessário, você deve substituir a vela de ignição por outra do mesmo modelo. Antes de montar a vela de ignição, medir a distância entre os eletrodos e ajustar a diferença para especificação se necessário.



Ao encaixar a vela, sempre limpar a superfície da junta e usar uma nova junta. Limpe a sujeira do eletrodo e aperte o parafuso da vela para o torque correto.

LUBRIFICAÇÃO

A lubrificação deve ser feita periodicamente nos pontos apresentados. Verificar conforme modelo adquirido.



VERIFICANDO O SISTEMA DE COMBUSTÍVEL

Verifique indícios de vazamentos, mau funcionamento ou danos em geral. Se um problema for encontrado, entre em contato com o representante autorizado ou um mecânico qualificado.



ATENÇÃO

- **Verifique se há vazamento de combustível regularmente.**
- **Se qualquer vazamento de combustível é encontrado, o sistema de combustível deve ser reparado por um mecânico qualificado.**

VERIFICANDO A MARCHA LENTA

Para a verificação da marcha lenta é necessário a utilização de um tacômetro. Os resultados podem variar dependendo se o teste é efetuado em um tanque de teste, ou com o motor na água.

1. Ligue o motor e deixe-o aquecer totalmente em ponto morto até que ele esteja funcionando perfeitamente.
2. Verifique se a velocidade de marcha lenta está definido para especificação.

CUIDADO

A correta medição da velocidade da marcha lenta só é possível se o motor estiver completamente aquecido. Se não estiver aquecido completamente, a marcha lenta vai medir acima do normal. Se você tem dificuldade em verificar a velocidade, ou a velocidade da marcha lenta requer um ajuste, entre em contato representante autorizado TOYAMA.

VERIFICAÇÃO DA FIAÇÃO E CONECTORES

Verifique se cada fio de aterramento está adequadamente fixado e se cada conector está conectado de forma segura.

VERIFICAÇÃO DE VAZAMENTO

Verifique se não há vazamentos de escape ou de água nas junções entre a cobertura de escape, cabeça do cilindro e corpo do cilindro.

Verifique se existem vazamentos em volta do motor.

CUIDADO

Se algum vazamento for encontrado, entre em contato com um representante TOYAMA.

VERIFICANDO A HÉLICE



ATENÇÃO:

Você pode se machucar seriamente se o motor acidentalmente ligar quando você estiver mexendo com a hélice ou muito perto dela.

Antes da inspeção, remoção ou instalação do hélice, remova a tampa das velas, coloque a marcha em Neutro (N), a chave geral em DESLIGADO e remova a chave. Remova também o cabo de parada de emergência do botão de emergência e desligue a bateria

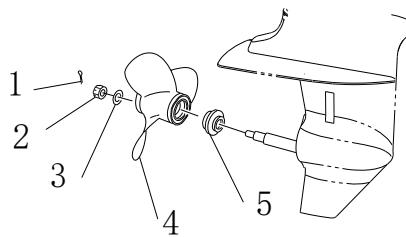
Não use as mãos para segurar o hélice caso perca o parafuso de fixação do hélice. Coloque um pedaço de madeira entre a placa de anticavitação e a hélice, como forma de prevenir a mesma de rotacionar.



11. Verifique em cada uma das pás da hélice se existe desgaste, erosão da cavitação ou ventilação e/ou outros danos.
12. Verifique se existem danos no eixo da hélice.
13. Verifique o pino de travamento.
14. Verifique se existe linha de pesca presa em torno do eixo da hélice.
15. Verifique se existem danos no retentor do eixo da hélice.

Removendo a Hélice

- Aperte o pino trava (cupilha) e puxe-o usando dois alicates
- Remova a porca da hélice, sua arruela e espaçador (se equipado)
- Remova o hélice e a arruela de empuxo



11. Pino trava
12. Porca da hélice
13. Arruela
14. Hélice
15. Arruela de empuxo

Instalação a Hélice

Para instalação da Hélice seguir os seguintes procedimentos:

1. Aplique óleo anti-corrosão no eixo do hélice
2. Instale o espaçador (se equipado), a arruela de empuxo e a hélice no eixo
3. Instale a arruela e o parafuso de fixação, rosqueando com torque correto.
4. Alinhe o parafuso do hélice com o buraco do eixo do hélice. Insira um novo pino de fixação (cupilha) e dobre as pontas do pino após a instalação.

CUIDADO

Certifique-se de instalar a arruela de empuxo antes de instalar a hélice, caso contrário suas partes poderão ser danificadas.

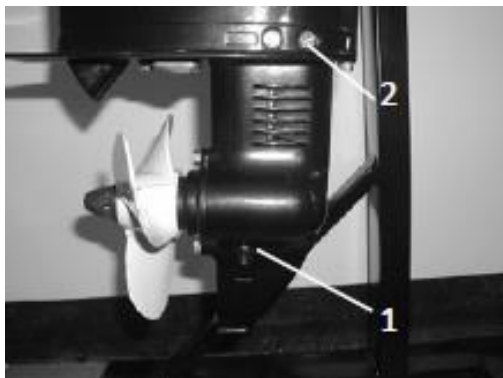
Certifique-se de usar um novo pino trava para prender corretamente a hélice, caso contrário a hélice poderá se soltar durante o funcionamento do motor e/ou se perder.

TROCA DE ÓLEO DA TRANSMISSÃO

⚠ ATENÇÃO

Certifique-se o motor de popa está fixado ao painel de popa ou um suporte estável. Nunca fique embaixo do motor enquanto ele estiver levantado, mesmo quando o suporte de inclinação estiver travado. Graves acidentes podem ocorrer se o motor se soltar e cair.

1. Incline o motor de popa para que o parafuso de drenagem do óleo das engrenagens esteja no ponto mais baixo possível.
2. Coloque um recipiente adequado sob a caixa de engrenagens.
3. Remova o bujão de drenagem do óleo.



- 1 - Bujão de drenagem do óleo
2 - Bujão de verificação do nível de óleo

CUIDADO

Trocar o óleo da transmissão depois das primeiras 10 horas de operação, e, a seguir, a cada 100 horas ou 6 meses, o que ocorrer primeiro. Caso contrário, danos poderão ocorrer nas engrenagens da transmissão.

4. Retire o bujão de verificação do nível de óleo para permitir que o óleo esorra completamente.

CUIDADO

Inspecione óleo “velho” depois de drenado. Caso apresente contaminação por água, isto pode ser indício de danos nas engrenagens e na transmissão. Consulte seu revendedor TOYAMA.

5. Utilize um dispositivo flexível ou pressurizado para o preenchimento e injete o óleo através do orifício de drenagem.
6. Quando o óleo começar a fluir para fora do furo do bujão de verificação do nível de óleo, inserir o parafuso (medidor) do bujão e apertar ele.
7. Recoloque e aperte bem o bujão de drenagem do óleo da transmissão.

LIMPEZA DO TANQUE DE COMBUSTÍVEL

CUIDADO

Ao realizar a manutenção do tanque de combustível, mantenha distância de faíscas, cigarros, chamas, ou qualquer outra fonte de ignição quando limpar o tanque.

Realizar a limpeza do tanque de combustível em lugar aberto e bem ventilado.

1. Esvazie o tanque de combustível. Usar um recipiente adequado e certificado para armazenar o combustível velho.
2. Despeje uma pequena quantidade de solvente apropriado dentro do tanque. Coloque a tampa do tanque e chacoalhe o mesmo. Drene o solvente completamente.
3. Remova a junção do filtro de combustível.

4. Limpe o filtro com solvente e deixe secar.
5. Substitua a junta por uma nova. Reinstale firmemente o filtro e junção, apertando bem os parafusos de fixação.

VERIFICAÇÃO E SUBSTITUIÇÃO DO ÂNODO(S) DE SACRIFÍCIO

Os motores têm um sistema para evitar a corrosão, constituído por ânodos.

Inspecione os ânodos periodicamente. Remover as camadas de depósitos ou sujeira das superfícies dos ânodos. Consulte um revendedor autorizado TOYAMA para substituição dos anodos de sacrifício.

CUIDADO

Não pinte ânodos pois isso os tornaria ineficazes, acelerando o processo de corrosão.



VERIFICANDO A CARENAGEM SUPERIOR

Verifique o encaixe da carenagem superior, empurrando-o com as duas mãos. Se estiver solto o mesmo deve ser reparado por um revendedor autorizado TOYAMA.



TABELA DE MANUTENÇÃO

Quando utilizados em condições normais, com manutenção e reparos feitos de forma adequada, o motor pode trabalhar normalmente dentro do período de vida normal. A frequência das operações de manutenção pode ser maior de acordo com as condições de funcionamento, caso estas condições sejam severas. A tabela seguinte mostra as orientações gerais.

Item	Ação	Amaciamento		Uso normal	
		10 Horas (1 mês)	50 Horas (3 meses)	100 Horas (6 mês)	200 Horas (1 ano)
Ânodo(s) (externo)	Verificar/Trocar		●/○	●/○	
Ânodo(s) (interno)	Verificar/Trocar				○
Passagens de água de resfriamento	Limpar		●	●	
Braçadeiras de fixação	Verificar				●
Sistema de combustível	Verificar	●	●	●	
Tanque combustível externo	Verificar/Limpar				●
Óleo da engrenagem	Trocar	●		●	
Pontos de Lubrificação	Lubrificar			●	
Velocidade de marcha lenta (modelos com carburador)	Verificar/Ajustar	●/○		●/○	
Hélice e pino trava (cupilha)	Verificar/Trocar		●	●	
Transmissão	Verificar/Ajustar				○
Termostato	Verificar				○
Cabo do acelerador	Verificar/Ajustar				○
Bomba de Água	Verificar				○
Correia de transmissão	Verificar/Ajustar			○	○
Folga da válvula	Verificar/Ajustar	○		○	
Vela de ignição	Limpar/ajustar/ Trocar	●			●

O "●" símbolo indica os check-ups (verificações) que você pode realizar por si mesmo.

O "○" símbolo indica o trabalho a ser realizado pelo seu revendedor autorizado TOYAMA.

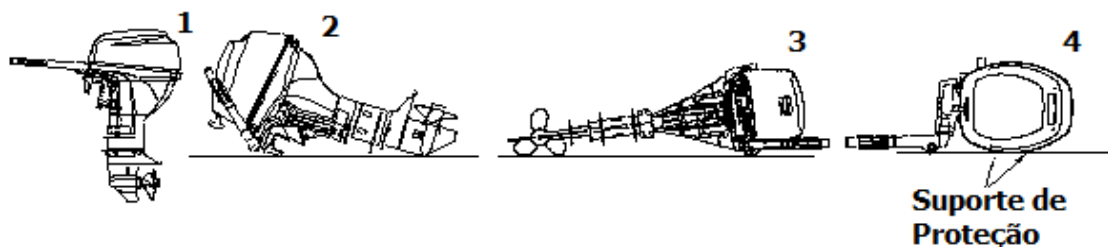
NOTA:

Quando estiver operando em água salgada, água barrenta ou turva, o motor deve ser lavado com água limpa após cada utilização.

27 TRANSPORTANDO E ARMAZENANDO

TRANSPORTANDO

O motor de popa deve ser transportado na posição vertical (1). Caso precise deitar o motor, fazer de acordo com as posições (2) e (3).



CUIDADO:

Não incline o motor quando o mesmo estiver fixo na embarcação e for rebocado por carreta. O motor pode ser soltar do suporte de fixação e cair. Transportar sempre que possível o motor na sua posição normal de operação (1). Caso precise transportá-lo inclinado, utilizar um dispositivo extra de fixação.

Ao transportar, prestar atenção com o tanque de combustível.

Não encha o tanque de combustível além de sua capacidade máxima, pois com o aquecimento, pode ocorrer expansão na gasolina, podendo levar ao vazamento do combustível.

Procure não ficar embaixo do motor levantado, mesmo que este apresente um suporte.

Coloque uma toalha ou pano debaixo do motor para protegê-lo de danos quando estiver nas posições 2 e 3.

Coloque um suporte de proteção quando transportar o motor deitado (4).

ARMAZENANDO

Ao armazenar seu motor de popa por períodos prolongados (2 meses ou mais), alguns procedimentos são aconselháveis para evitar danos excessivos.

ATENÇÃO:

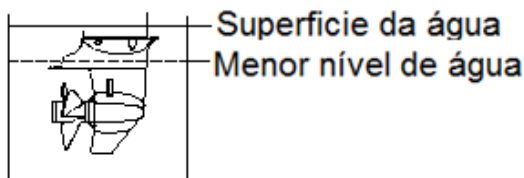
Mantenha o motor de popa na posição vertical quando for armazená-lo. Caso precise armazenar o motor deitado (na lateral), utilize um apoio e drene previamente todo o combustível.

Certifique-se de que a água de refrigeração tenha sido completamente drenada antes de colocar o motor de popa deitado.

Guarde o motor de popa em ambiente seco e bem ventilado, não deixando diretamente sobre luz solar.

Recomenda-se consultar seu revendedor autorizado TOYAMA para que este realize os procedimentos, mas caso queira, pode ser feito com algumas ferramentas.

1. Limpe o motor de popa externamente, utilizando água fresca e limpa
2. Desconecte a mangueira de combustível e aperte o bujão de respiro do tanque.
3. Remova a carenagem superior do equipamento;
4. Posicione o motor de popa no tanque de teste
5. Encha o tanque com água fresca até que o nível de água no tanque esteja acima do ânodo de sacrifício.



CUIDADO

Se o nível de água estiver abaixo do ânodo de sacrifício (placa de anticavitação), ou se o fornecimento de água para refrigeração é insuficiente, o motor pode fundir.

6. Ligue o motor. Deixe-o em funcionamento até que se esgote todo o combustível do motor.
7. Retire a(s) vela(s) (**ATENÇÃO:** o motor pode estar quente, espere esfriar antes de realizar este procedimento). Adicione uma pequena quantidade de óleo de motor dentro do cilindro. Mova a partida do motor de modo que o óleo se espalhe no interior do mesmo;

ATENÇÃO

O motor pode estar quente depois de operado. Ao realizar a manutenção, tenha extremo cuidado para não tocar nas partes quente do motor, como cabeçote, bloco e demais partes. Não toque ou remova qualquer parte elétrica quando for dar a partida no motor ou durante seu funcionamento.

Mantenha mãos, cabelo e roupa longe do volante ou qualquer outra parte rotatória enquanto o motor estiver em funcionamento.

8. Adicione lubrificante em cada parte móvel do equipamento;
9. Recoloque as velas;
10. Recoloque a carenagem superior do equipamento;
11. Aplique uma camada de cera automotiva nas superfícies externas para criar resistência e durabilidade ao seu produto;
12. Armazene o motor com em posição vertical;
13. Armazene-o em ambiente ventilado, seco e sem exposição direta ao sol.

ATENÇÃO:

Equipamentos equipados com tanque de combustível portátil: armazene o tanque em ambiente seco, bem ventilado e sem exposição direta ao sol.

WARRANTY TERM

This product is guaranteed against defects in material and workmanship for a legal period of three (3) months from the date of issue of the sales invoice. We undertake to repair or replace, within the mentioned period, free of charge, parts that are recognized by the Technical Department as defective, through the approval of the warranty request.

This warranty is limited and non-transferable, valid only for the first purchaser and covers only the product, all damages and losses resulting from misuse of the equipment are excluded. Any freight/insurance and other costs will be borne by the buyer.

The following shall be excluded from the guarantee:

- Spare parts and natural maintenance such as, candles, lubricants, filters, fuel cap, starting cord, starter set, handles, seals, gaskets, chains, booms, nozzles, pistons, o'rings, gaskets, Turbines (fans), safety devices and similar items.
- Parts that undergo natural wear with the use due to friction, such as, piston, cylinder, piston rings, bearings, pins, rollers, connecting rod, crankshaft, valve, springs, tappet, bushings, tubes, gear (pinion) and clutch.
- Products violated.
- Products whose Certificate of Warranty is incorrectly filled or without the Sales Invoice number.
- Accessories such as, pistol lance, nozzles, brushes, cutting blades, tube and bag collector.

NOTE: A breakdown during the warranty period does not entitle

IMPORTANT: Keep this manual and this certificate in a safe place, presenting it when you need service, along with the Certificate of Warranty and Purchase Invoice. Possible freight / insurance and other expenses will be borne by the reseller or buyer.

ATTENTION: Read this owner's manual and all warnings before operating the equipment.

TERMINO DE GARANTIA

Este producto está garantizado contra defectos de material y fabricación por un periodo legal de 3 (tres) meses a partir de la fecha de emisión de la factura de venta. Nos comprometemos a reparar y/o cambiar, dentro del plazo mencionado, gratuitamente, piezas que sean reconocidas por el Departamento Técnico como defectuosas, mediante la aprobación de la solicitud de garantía.

Esta garantía es limitada e intransferible, valida solamente para el primer comprador y cubre únicamente el producto, quedan excluidos todos los daños y perjuicios derivados del mal uso del equipamiento. Los eventuales gastos de flete/seguro y otros correrán por cuenta del comprador.

Quedan excluidos de la garantía:

- Defectos provocados por uso en desacuerdo con las instrucciones contenidas en el manual del usuario; accidentes (caída, fuego, etc.); utilización de piezas no originales o reparos y/o mantenimientos realizados por talleres y/o técnicos no autorizados.
- Piezas de reposición y mantenimiento natural como, bujías, lubricantes, filtros, tapa de combustible, cuerda de arranque, conjunto de arranque, manubrios, retenedores, juntas, barras, correas, lanzas, picos, pistolas, anillos o-ring, empaques, turbinas(ventilador), dispositivos de seguridad y ítems similares.
- Piezas que sufren de desgaste natural con el uso debido a la fricción, como, pistón, cilindro, anillos del pistón, mancales, pinos, rodillos, biela, cigüeñal, válvula, muelles, tochos, cojinetes, tubos, engranajes(piñón) y embrague.
- Productos violados.
- Productos cuyo certificado de garantía este llenado de manera incorrecta y/o sin el número de la Factura de compra.

NOTA: Una avería durante el periodo de garantía no le da el derecho al comprador de interrumpir el pago, y/o descuentos.

IMPORTANTE: Guarde este manual y este certificado en un local seguro, preséntelo cuando necesite de asistencia técnica, en conjunto con el Certificado de Garantía y Factura de compra.

ATENCION: Lea este manual de instrucciones del propietario y todos los avisos de peligro y atención antes de operar el equipamiento

TERMO DE GARANTIA

Este produto é garantido contra defeitos de material e de fabricação pelo período legal de 3 (três) meses a contar da data de emissão da respectiva Nota Fiscal de Venda. Comprometemo-nos a reparar ou substituir, dentro do prazo citado, gratuitamente, peças que sejam reconhecidas pelo Departamento Técnico como defeituosas, mediante aprovação da Solicitação de Garantia.

A presente garantia limitada é intransferível, válida somente para o primeiro comprador e cobre unicamente o produto, ficando excluídos quaisquer eventuais danos e prejuízos decorrentes de aplicação do equipamento. Eventuais despesas como frete e/ou seguro entre o domicílio e a Assistência Técnica correrão por conta do comprador.

Ficam excluídos da garantia:

- Defeitos provocados por uso em desacordo com as instruções contidas no Manual do Proprietário; acidentes (queda, fogo, etc.); utilização de peças não originais e consertos e/ou manutenção realizados por oficinas e/ou técnicos não autorizados.
- Peças de reposição e manutenção natural, como velas, lubrificantes, filtros, tampa de combustível, cordão da partida, manípulos, retentores, juntas, dispositivos de segurança e itens similares.
- Peças que sofrem desgaste natural com o uso, devido ao atrito, como pistão, cilindro, anéis de pistão, mancais, pinos, roletes, biela, virabrequim, molas, buchas, rotor e selos mecânicos.
- Produtos violados.
- Produtos cujo Certificado de Garantia esteja preenchido de forma incorreta e/ou sem o número da Nota Fiscal de Venda.

NOTA: Uma avaria durante o período de garantia não dá o direito ao comprador de interromper o pagamento, ou a descontos.

IMPORTANTE: Guarde a Nota Fiscal de Venda, O Certificado de Garantia do produto e apresente-os quando necessitar de assistência técnica.

ATENÇÃO: Leia o Manual de Instruções do proprietário e todos os avisos de perigo e atenção antes de operar o equipamento.

